

Name: _____

Read: Addressing – 4.1.2, 4.1.3, 4.1.5 (consult wikipedia for ARP)

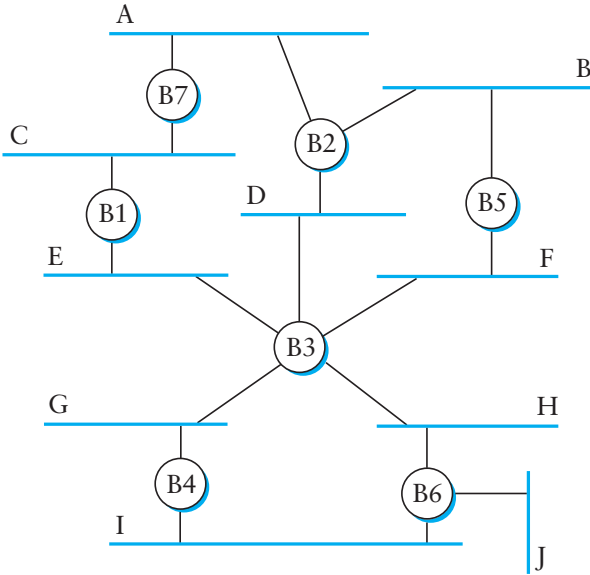
Bridging 3.2

Intra-domain routing 4.2, except 4.2.5 (mobile)

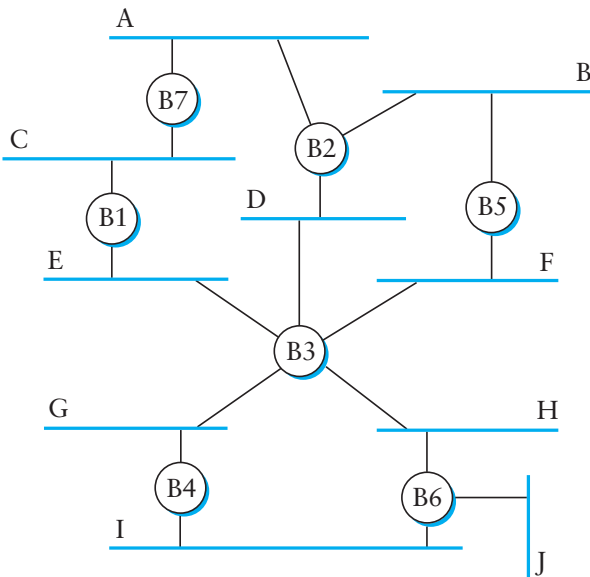
Inter-domain routing 4.3, except 4.3.6 (IPv6) (note that “areas” are a feature of OSPF, not BGP)

Due Wednesday, November 8.

1. Login to a unix machine, (csic linuxlab is fine), then run “arp -a” (bsd/mac), “arp -a -n” (linux), or consult your machine’s man page to find the proper way of reading the arp cache. If the cache is empty, try using a machine that has an active network connection. What is the MAC address of your default gateway?
2. Page 226, question 13, using the diagram below: mark an X through the ports that would be disabled.



3. Page 226, question 14, using the diagram below: mark an X through the ports that would be disabled after B1 suffers catastrophic failure.

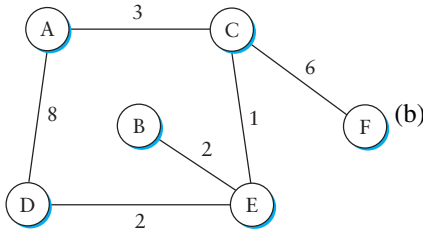


CMSC 417 Homework Five

4. Page 358, question 15. Treat blank cells as equivalent to ∞ .

(a)

	A	B	C	D	E	F
A						
B						
C						
D						
E						
F						



(b)

	A	B	C	D	E	F
A						
B						
C						
D						
E						
F						

(c)

	A	B	C	D	E	F
A						
B						
C						
D						
E						
F						