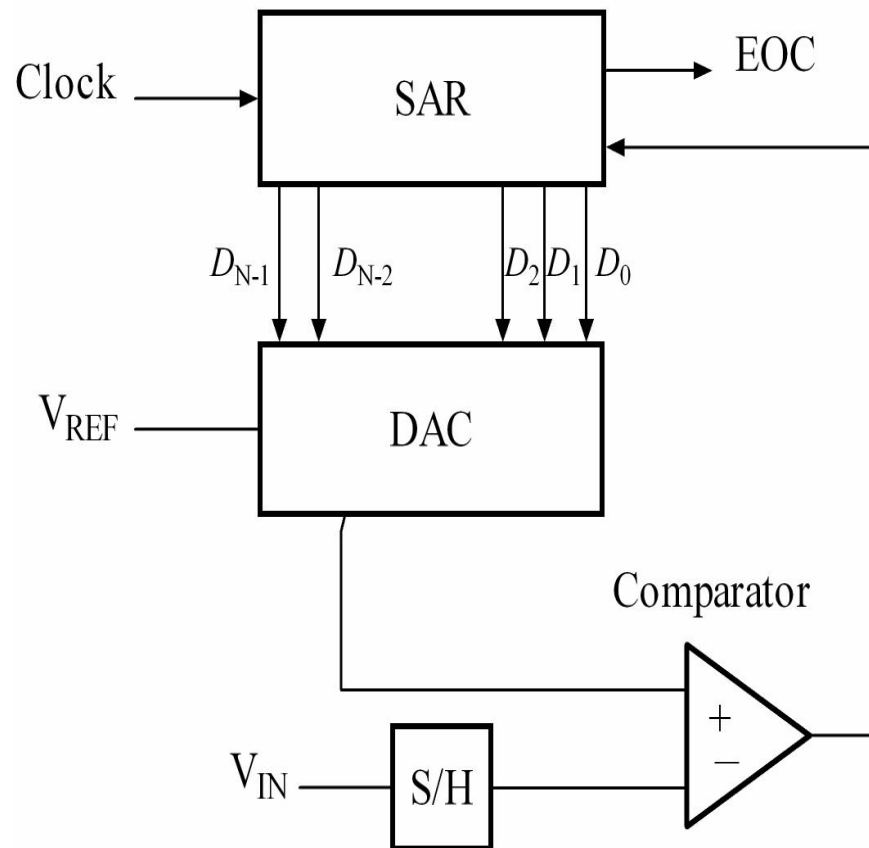


Questions?

- Project

Analog to Digital conversion

- Successive approximation system



How to program the A/D converter

- Key aspects:
 - Setup the I/O pin and voltage reference
 - Set up the A/D module
 - *Input channel*
 - *Conversion clock*
 - *Switch on*
 - Respect acquisition time for accuracy
 - Start conversion

See page 184 of the PIC18FXX2 manual for details