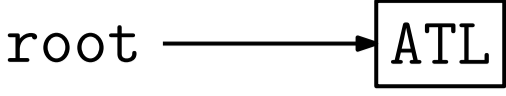
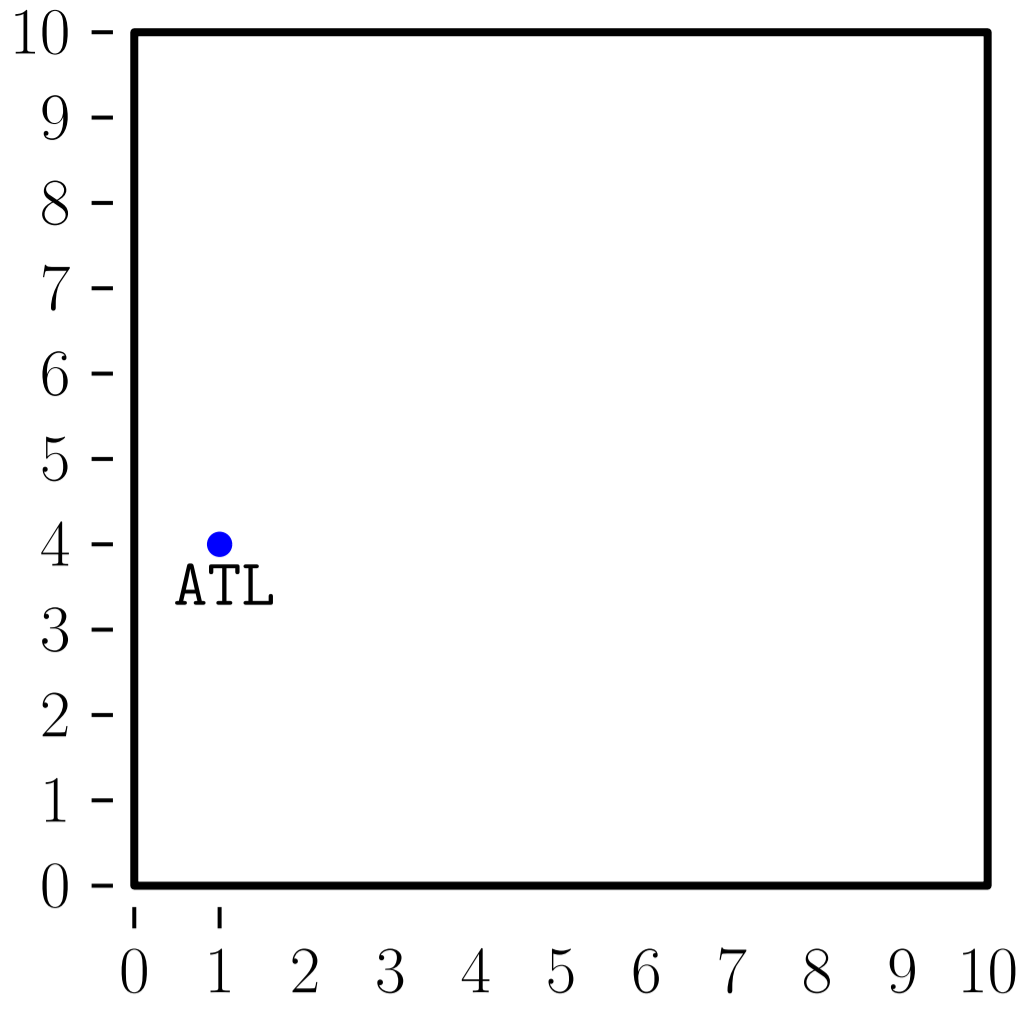


test01  
rebuild offset = 5

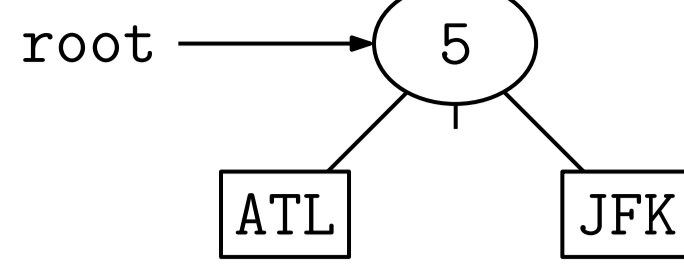
insert:ATL (1,4)



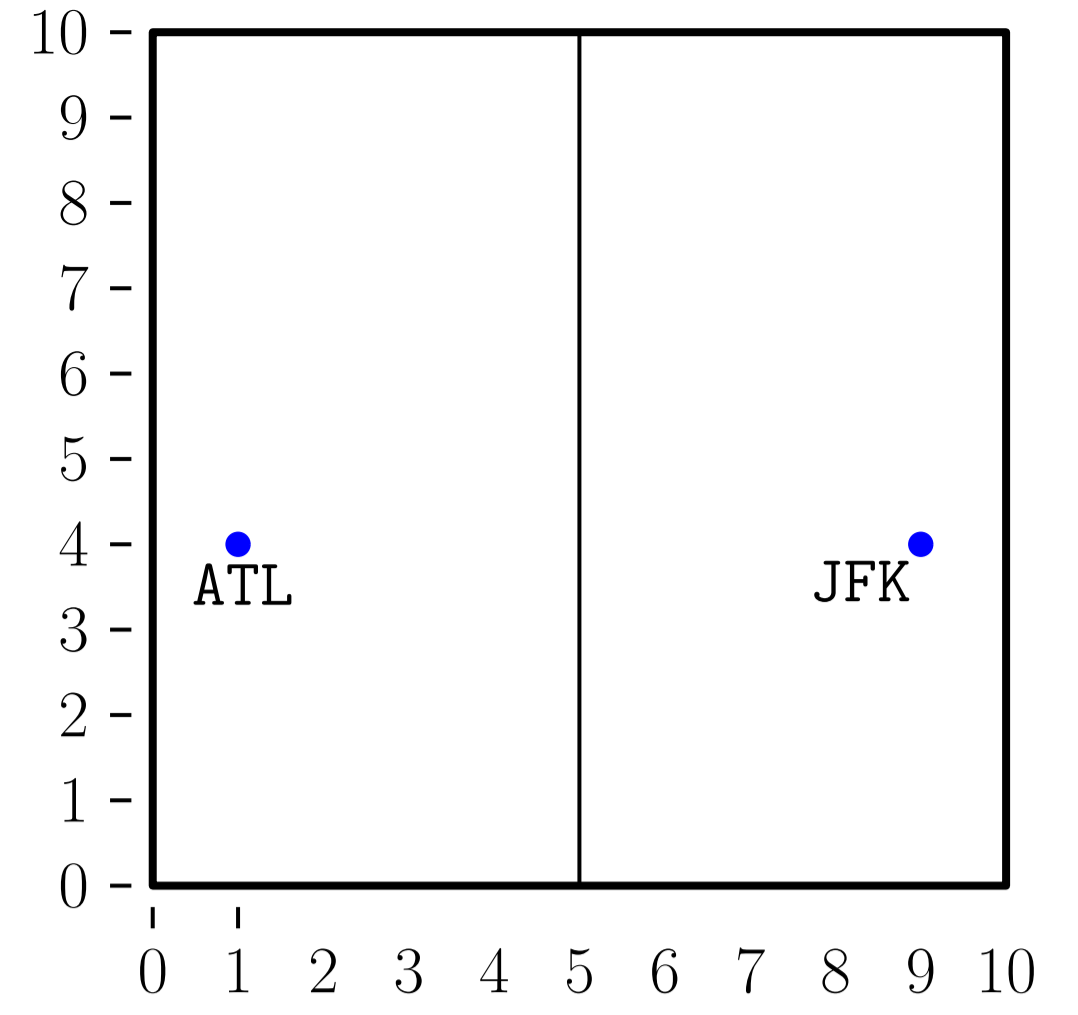
Tree structure:  
[ATL: (1.0,4.0)]



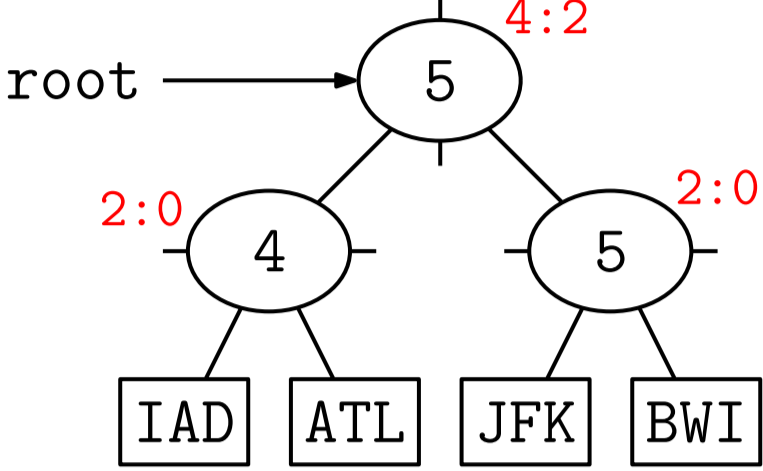
insert:JFK (9,4)



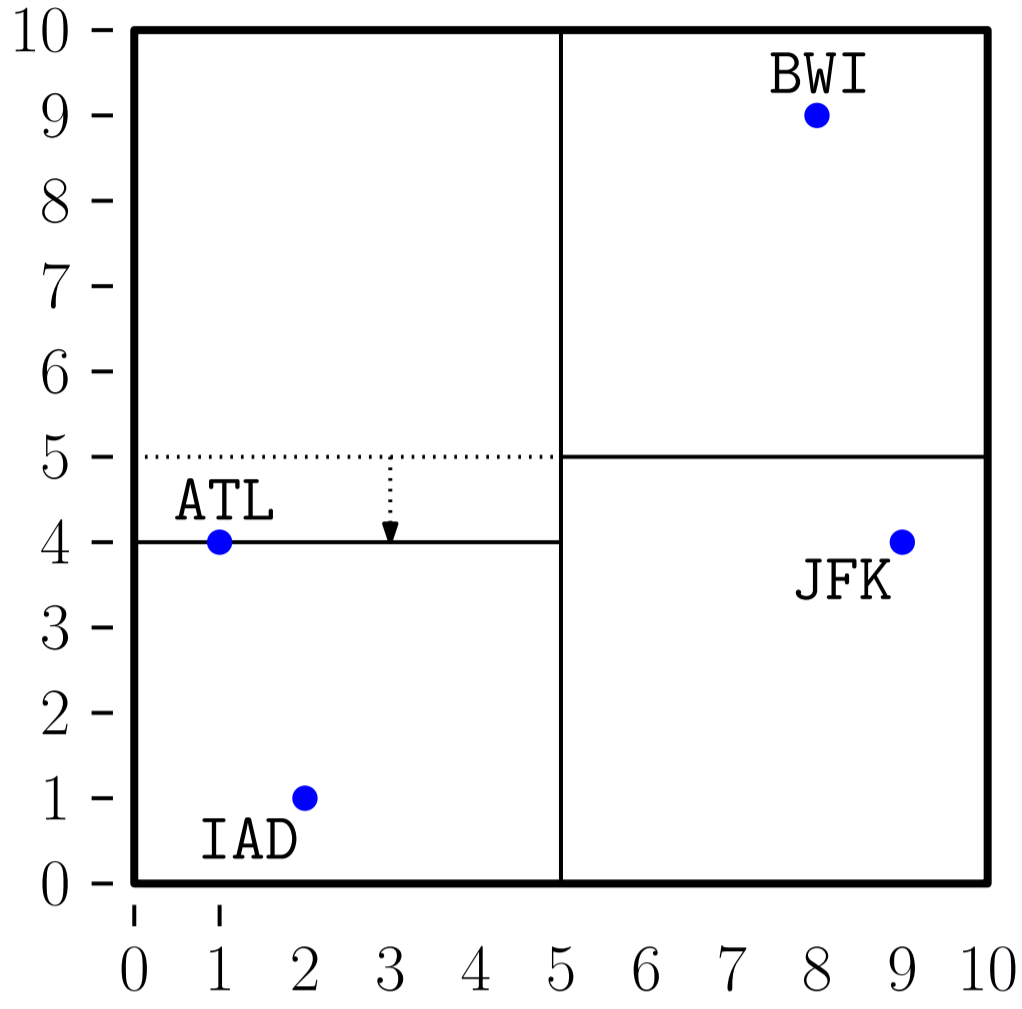
Tree structure:  
| [JFK: (9.0,4.0)]  
(x=5.0) 2:0  
| [ATL: (1.0,4.0)]



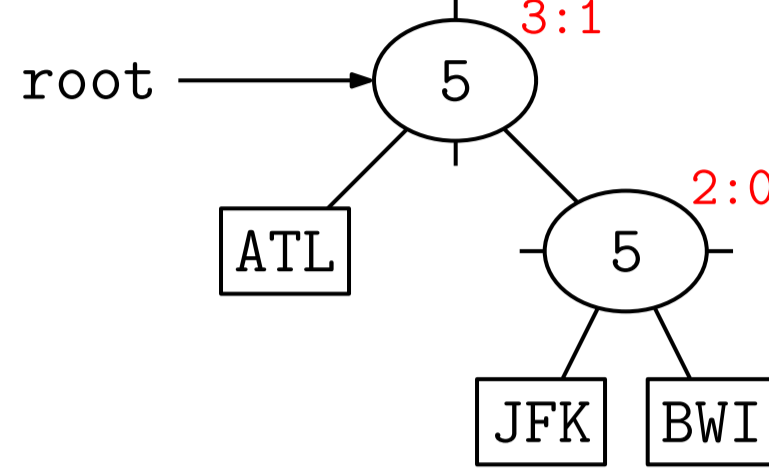
insert:IAD (2,1)



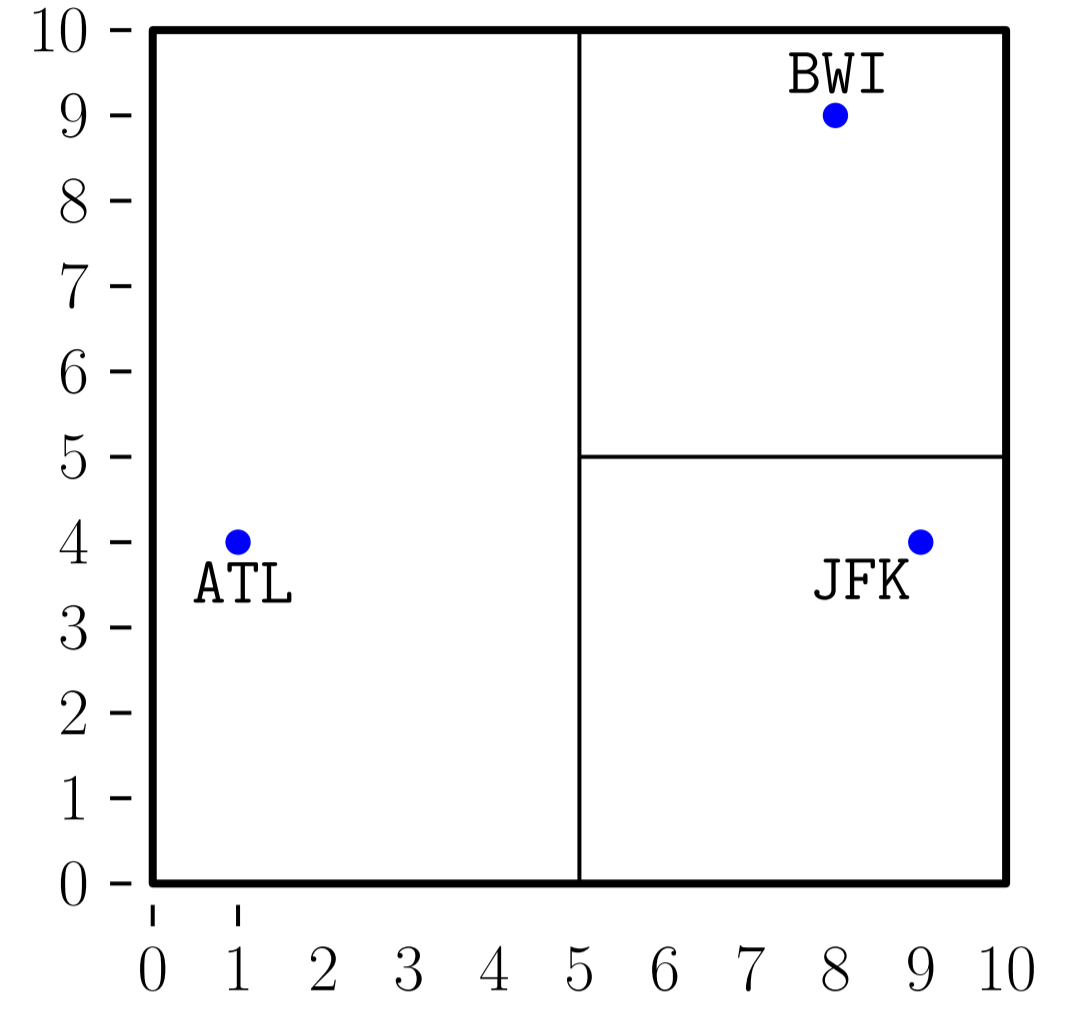
Tree structure:  
| | [BWI: (8.0,9.0)]  
| (y=5.0) 2:0  
| | [JFK: (9.0,4.0)]  
(x=5.0) 4:2  
| | [ATL: (1.0,4.0)]  
| (y=4.0) 2:0  
| | [IAD: (2.0,1.0)]



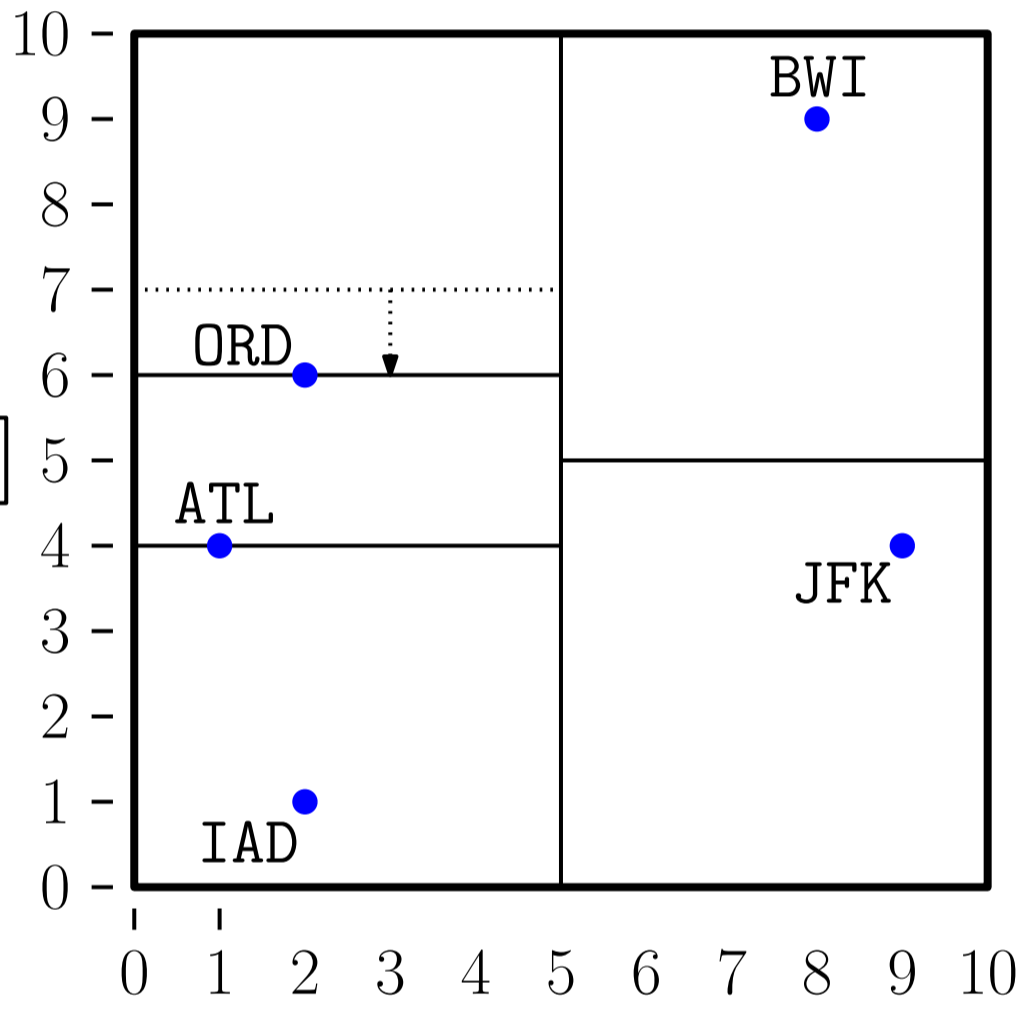
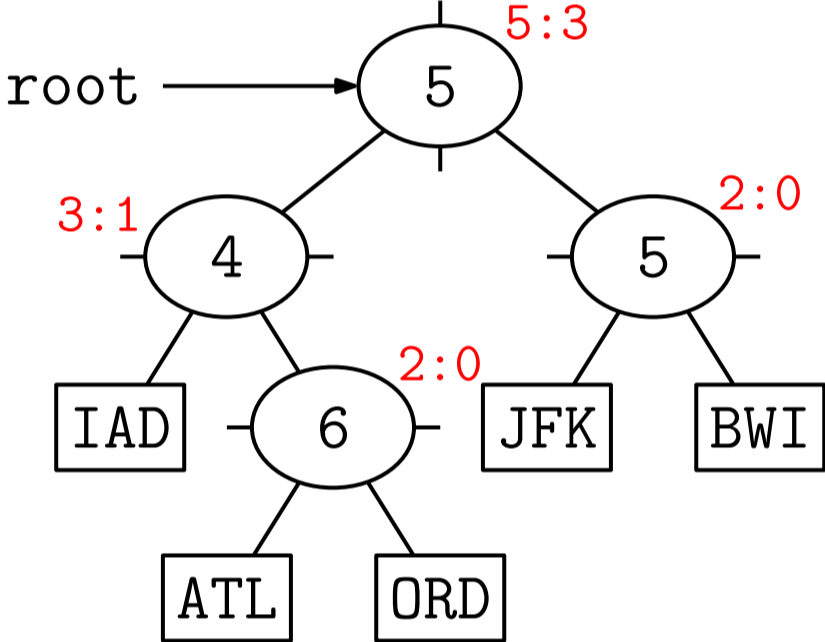
insert:ORD (2,6)



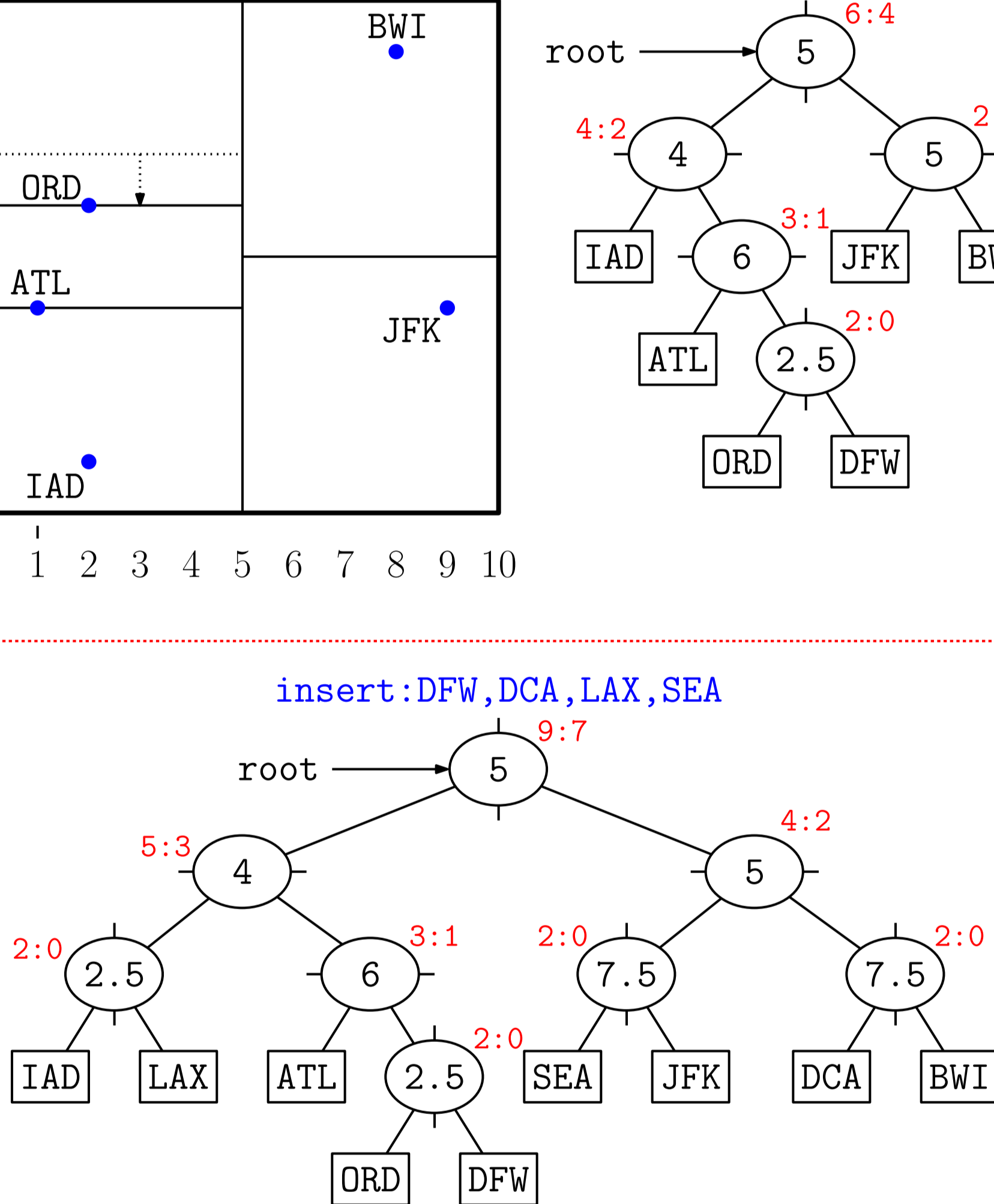
Tree structure:  
| | [BWI: (8.0,9.0)]  
| (y=5.0) 2:0  
| | [JFK: (9.0,4.0)]  
(x=5.0) 3:1  
| [ATL: (1.0,4.0)]



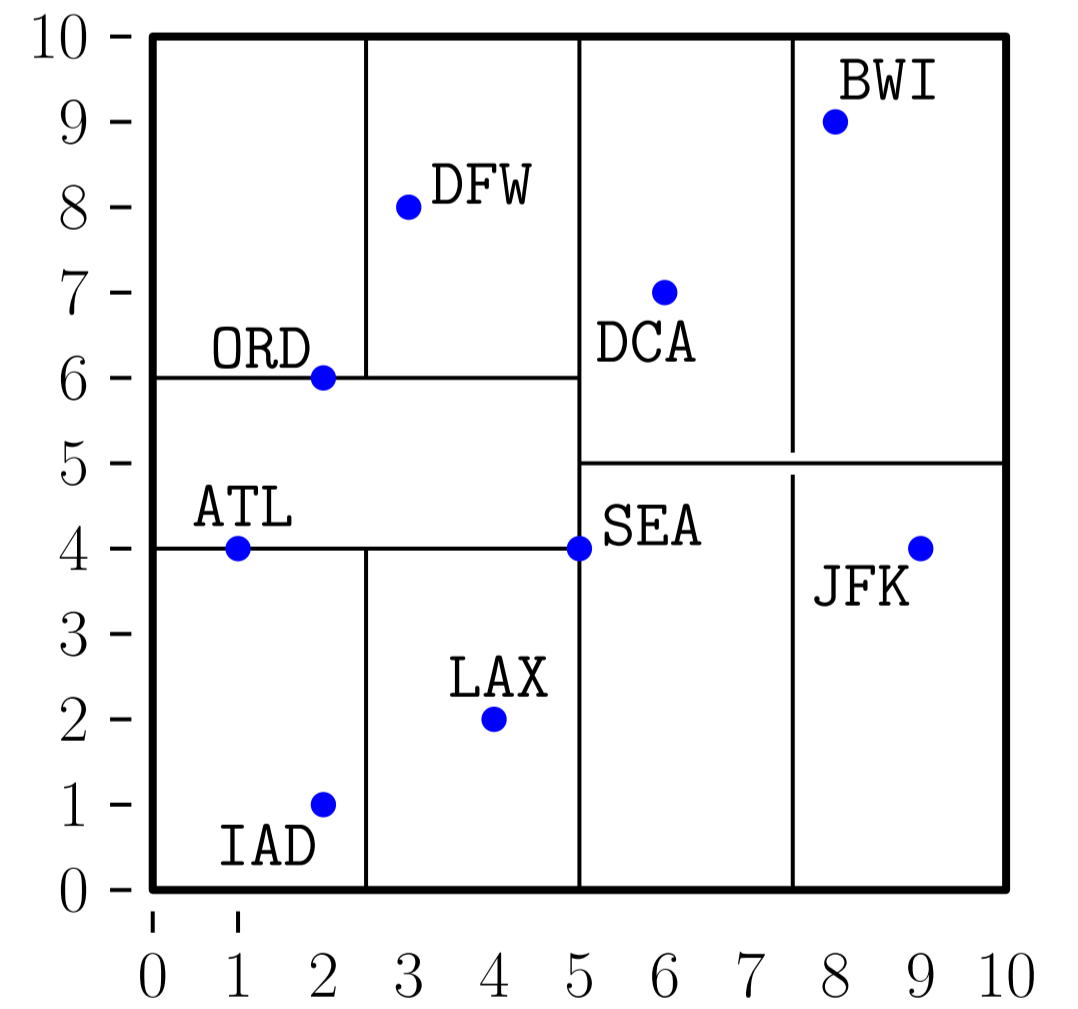
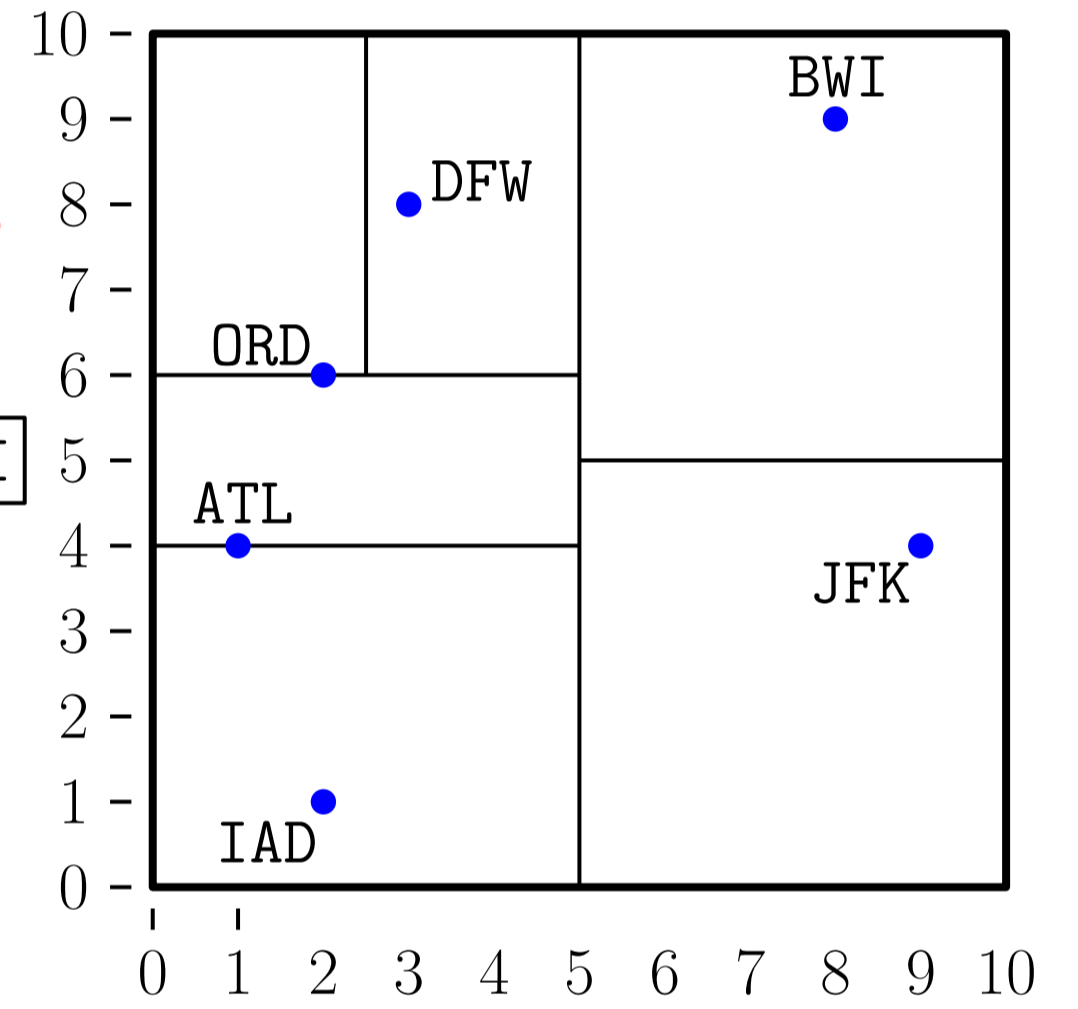
insert:DFW (3,8)



insert:DFW,DCA,LAX,SEA



Tree structure:  
| | | [BWI: (8.0,9.0)]  
| | (x=7.5) 2:0  
| | | [DCA: (6.0,7.0)]  
| (y=5.0) 4:2  
| | | [JFK: (9.0,4.0)]  
| | (x=7.5) 2:0  
| | | [SEA: (5.0,4.0)]  
(x=5.0) 9:7  
| | | | [DFW: (3.0,8.0)]  
| | | (x=2.5) 2:0  
| | | | [ORD: (2.0,6.0)]  
| | (y=6.0) 3:1  
| | | [ATL: (1.0,4.0)]  
| (y=4.0) 5:3  
| | | [LAX: (4.0,2.0)]  
| | (x=2.5) 2:0  
| | | [IAD: (2.0,1.0)]



Tree structure:  
| | | [BWI: (8.0,9.0)]  
| | (x=7.5) 2:0  
| | | [DCA: (6.0,7.0)]  
| (y=5.0) 5:0  
| | | [JFK: (9.0,4.0)]  
| | (x=7.5) 3:0  
| | | | [SEA: (5.0,4.0)]  
| | | (y=2.5) 2:0  
| | | | [SFO: (7.0,1.0)]  
(x=5.0) 10:0  
| | | | [DFW: (3.0,8.0)]  
| | (x=2.5) 2:0  
| | | | [ORD: (2.0,6.0)]  
| (y=5.0) 5:0  
| | | | [LAX: (4.0,2.0)]  
| | (x=2.5) 3:0  
| | | | | [ATL: (1.0,4.0)]  
| | | | (y=2.5) 2:0  
| | | | | [IAD: (2.0,1.0)]

insert:SFO (7,1) (rebuild root)

