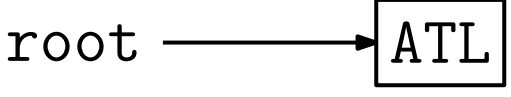


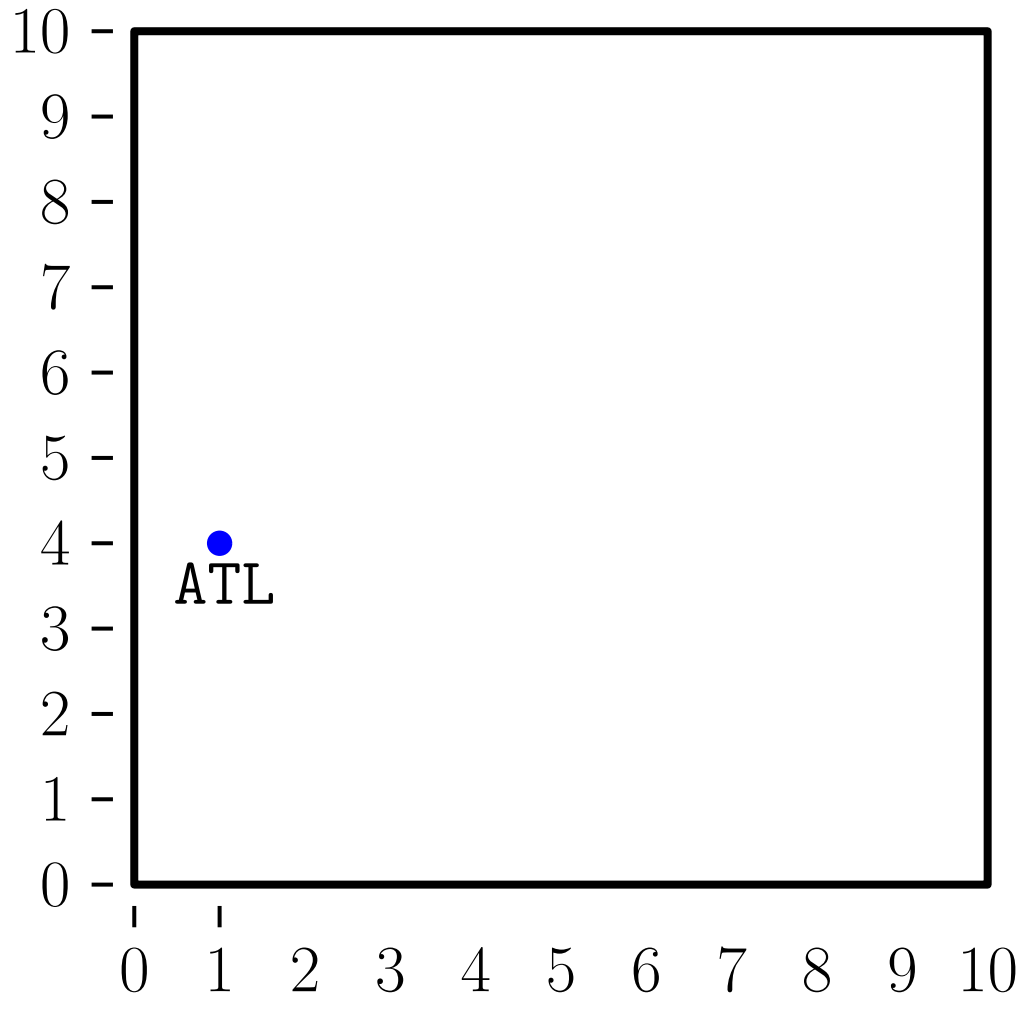
test02

rebuild offset = 0

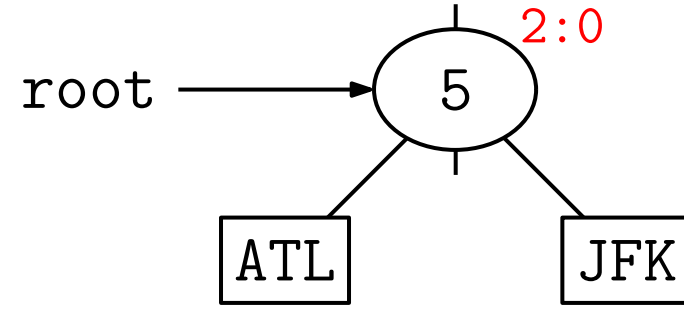
insert:ATL (1,4)



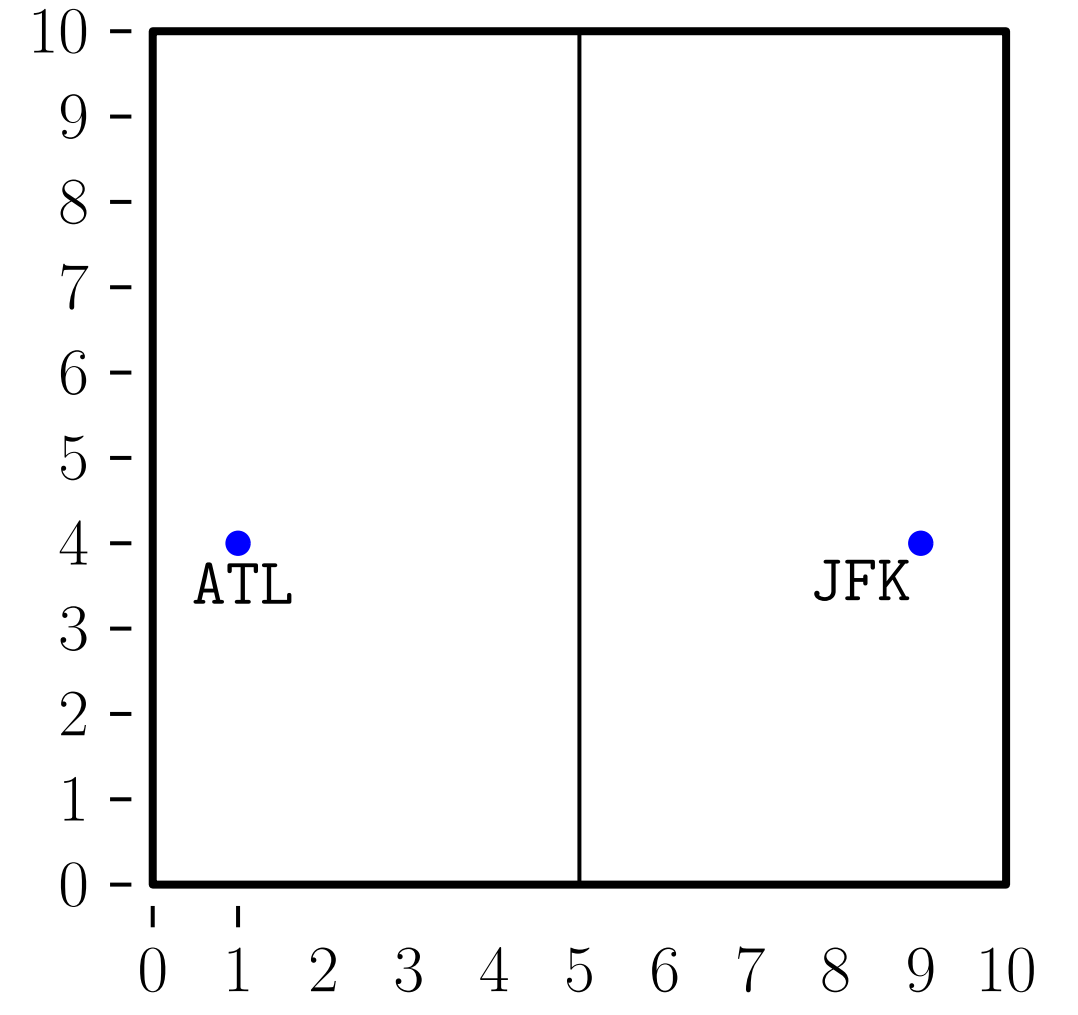
Tree structure:  
[ATL: (1.0,4.0)]



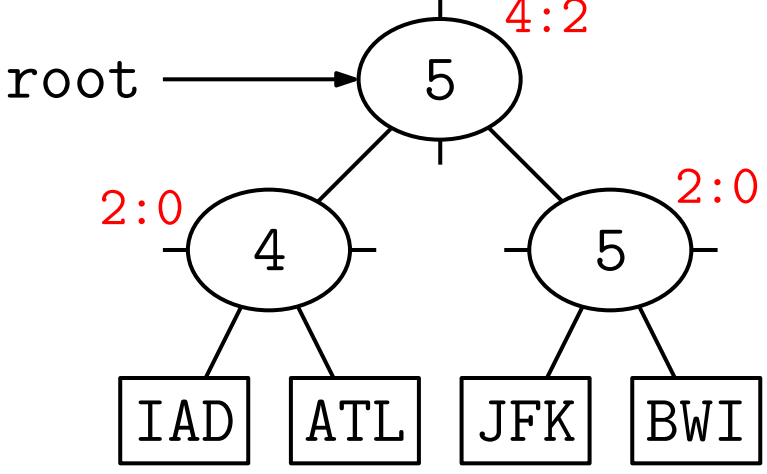
insert:JFK (9,4)



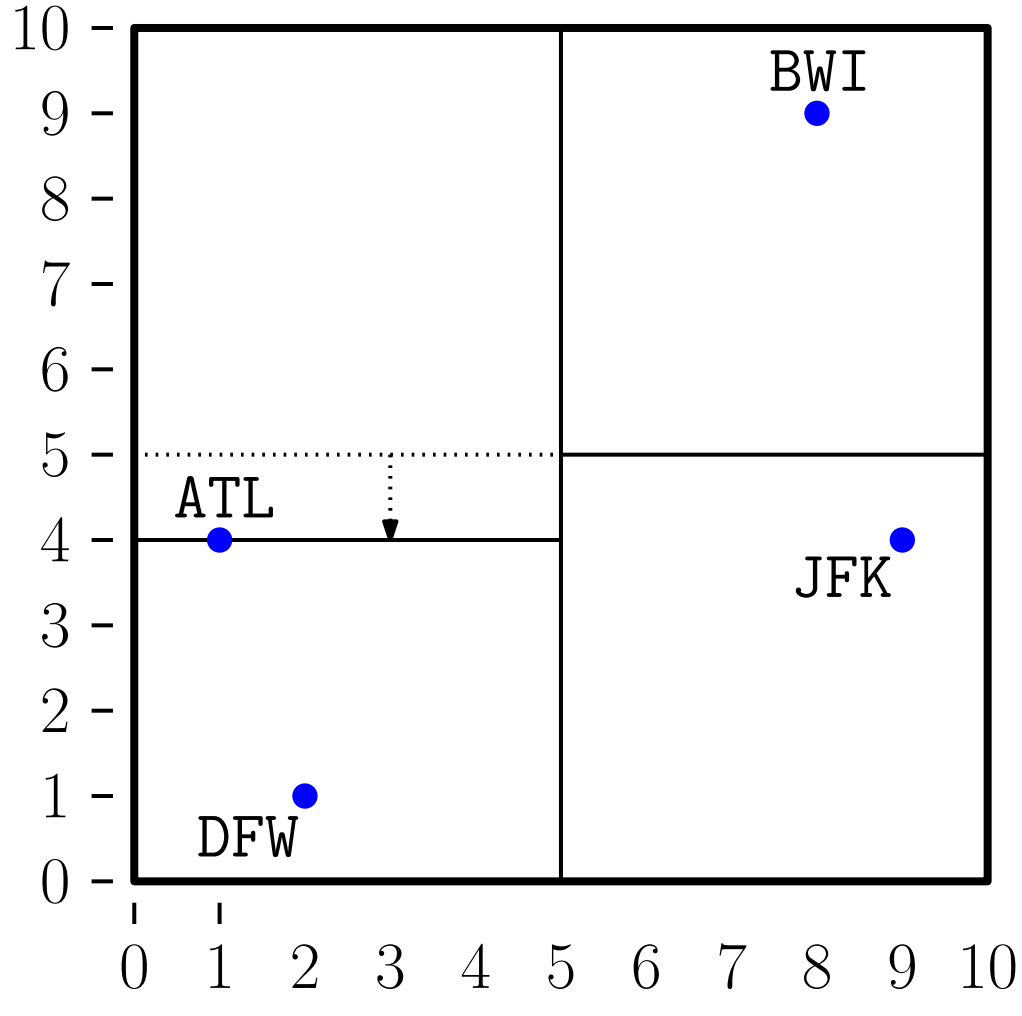
Tree structure:  
| [JFK: (9.0,4.0)]  
(x=5.0) 2:0  
| [ATL: (1.0,4.0)]



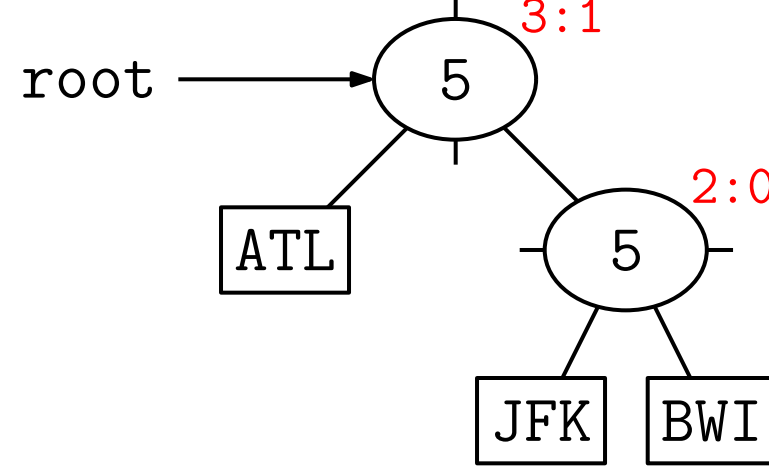
insert:DFW (2,1)



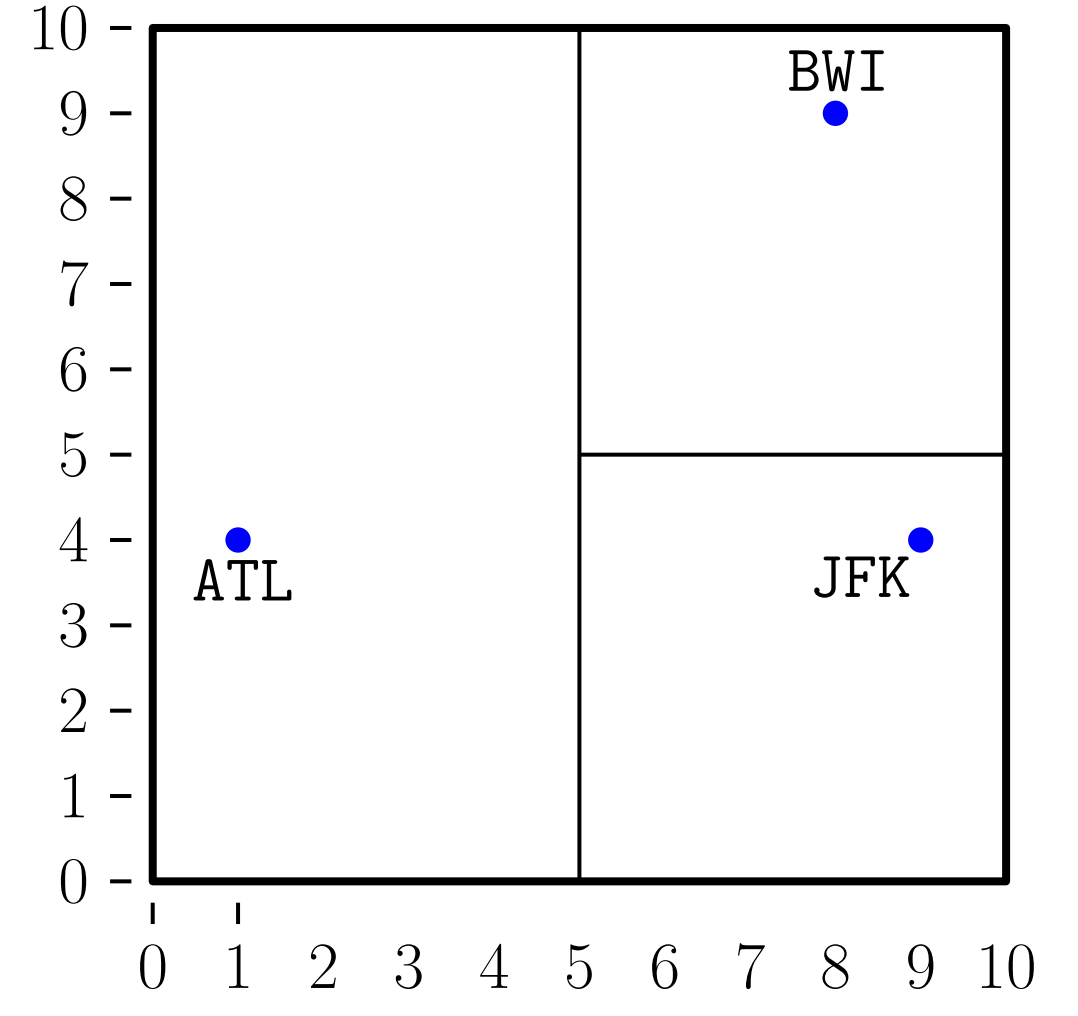
Tree structure:  
| | [BWI: (8.0,9.0)]  
| (y=5.0) 2:0  
| | [JFK: (9.0,4.0)]  
(x=5.0) 4:2  
| | [ATL: (1.0,4.0)]  
| (y=4.0) 2:0  
| | [IAD: (2.0,1.0)]



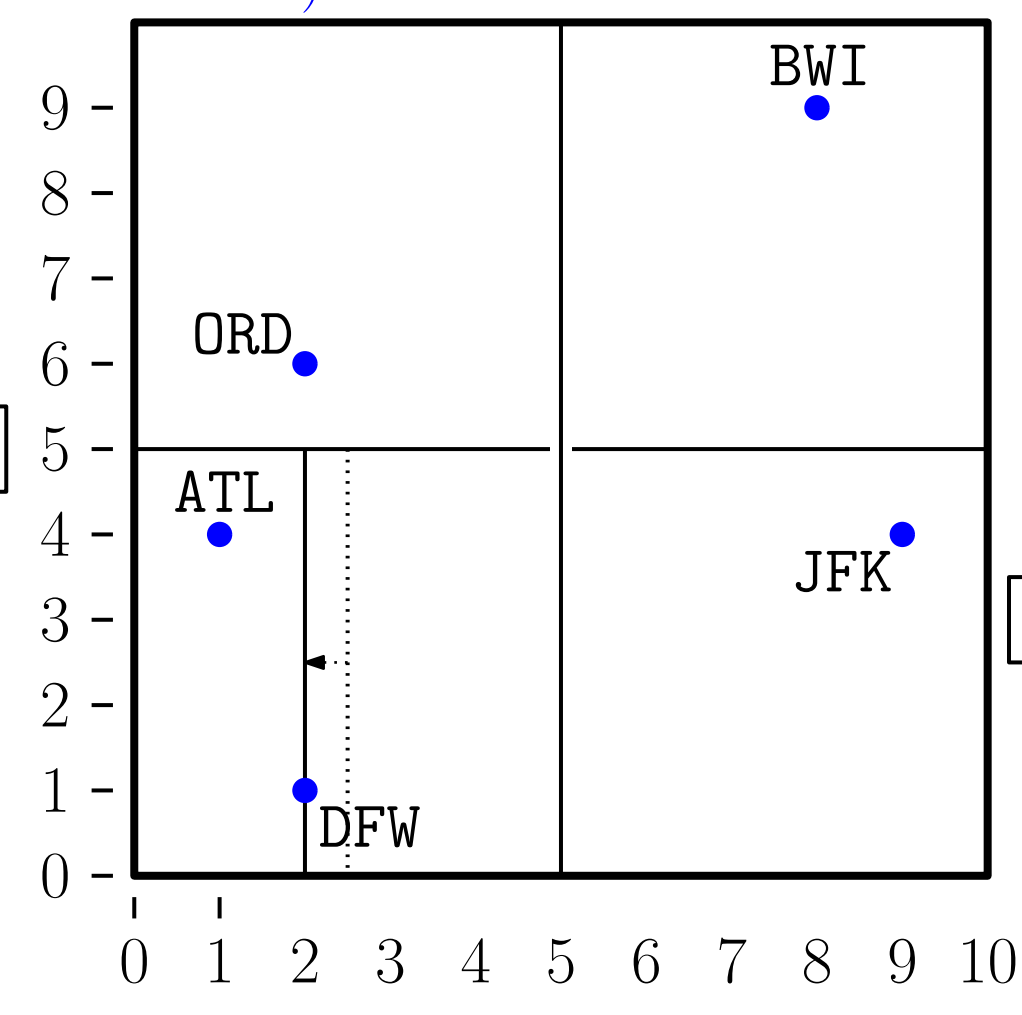
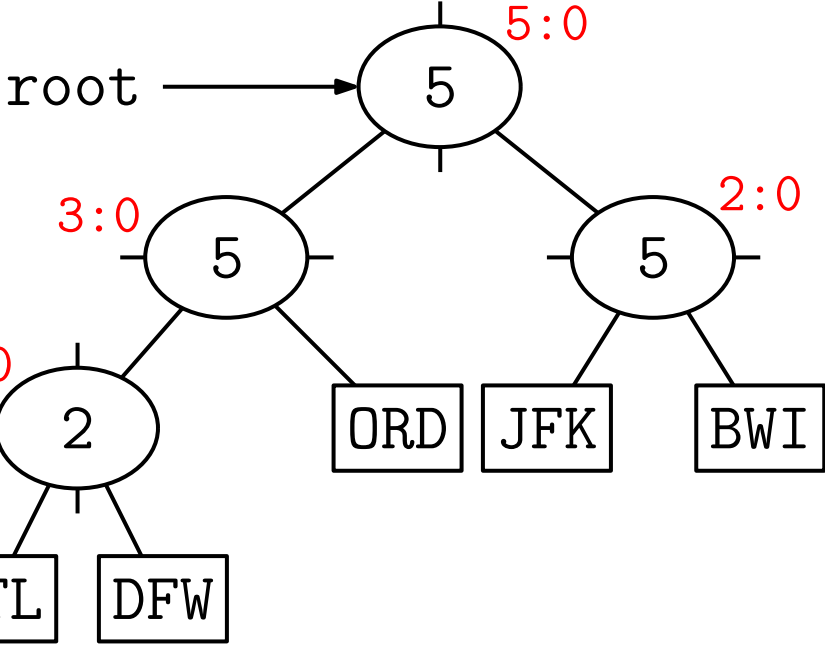
insert:DFW (8,9)



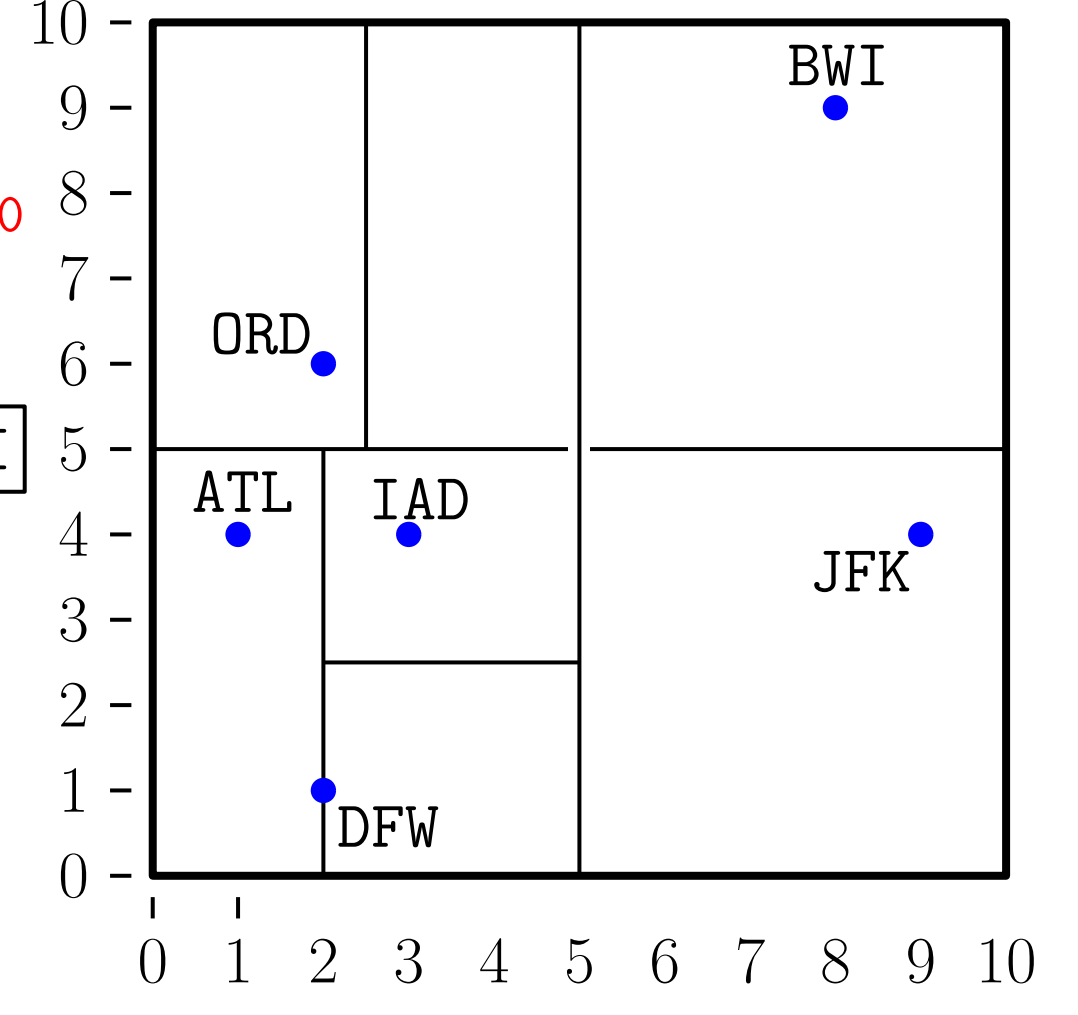
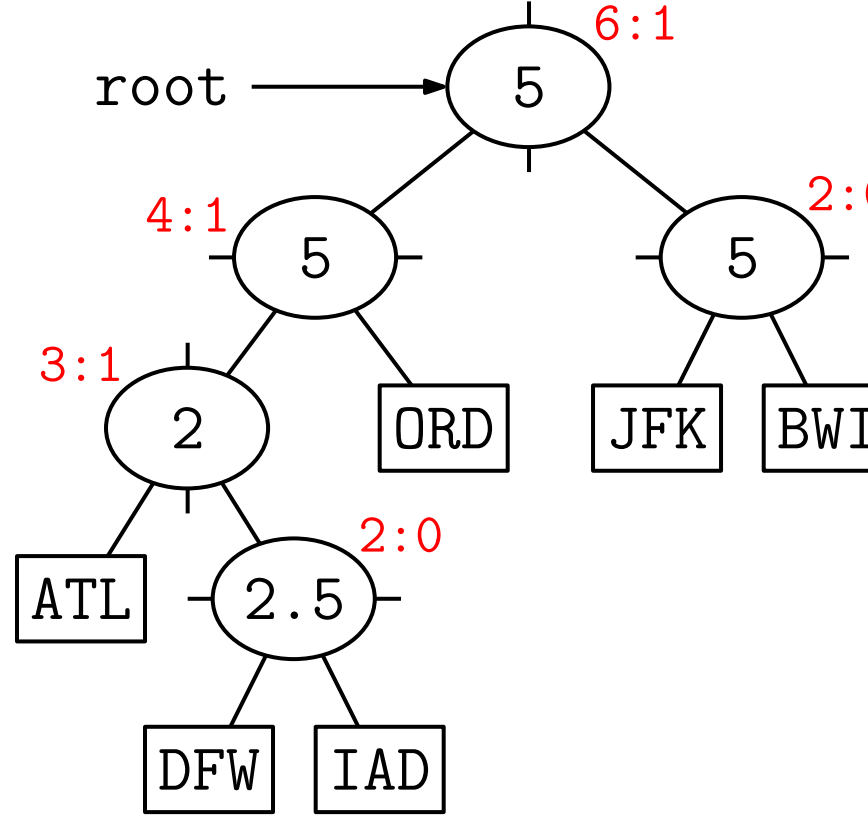
Tree structure:  
| | [BWI: (8.0,9.0)]  
| (y=5.0) 2:0  
| | [JFK: (9.0,4.0)]  
(x=5.0) 3:1  
| [ATL: (1.0,4.0)]



insert:ORD (2,6) (rebuild root)

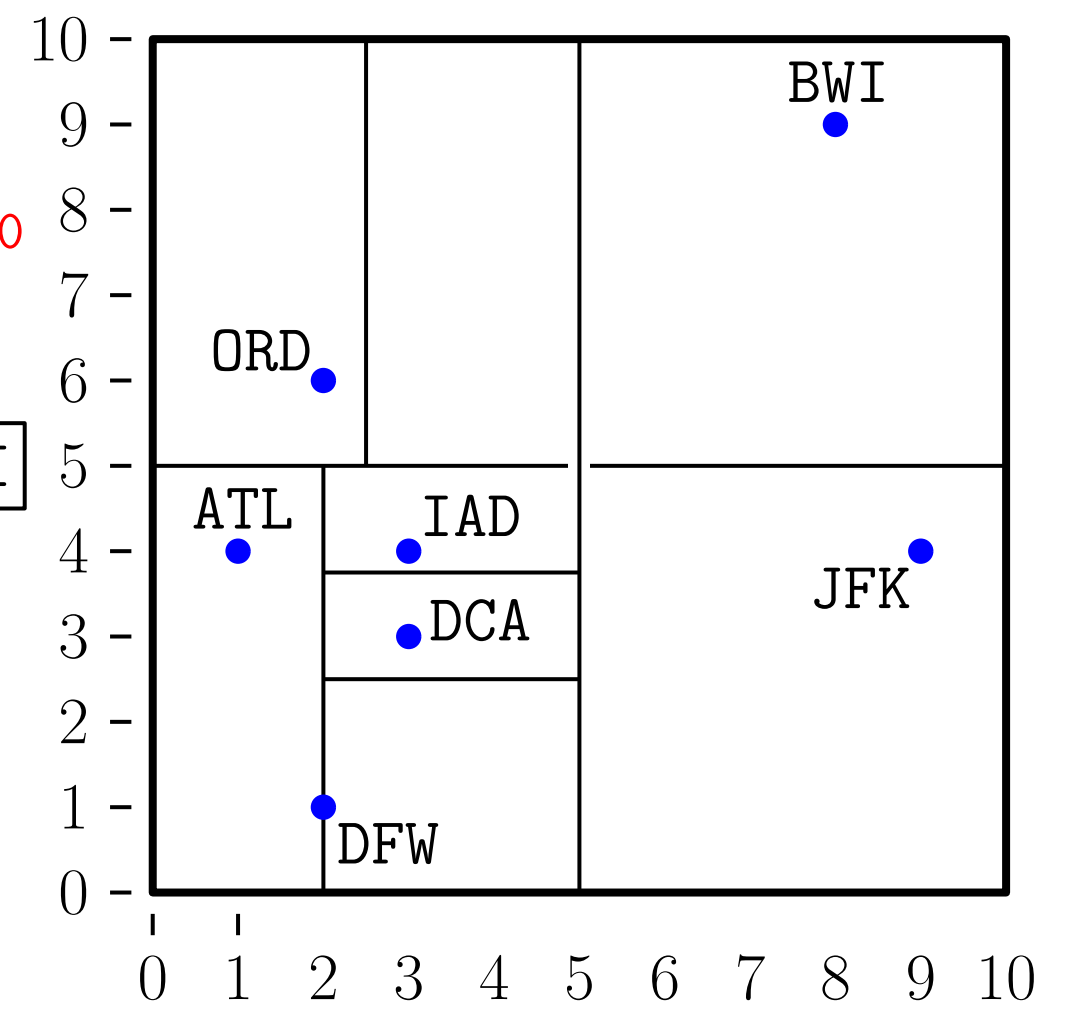
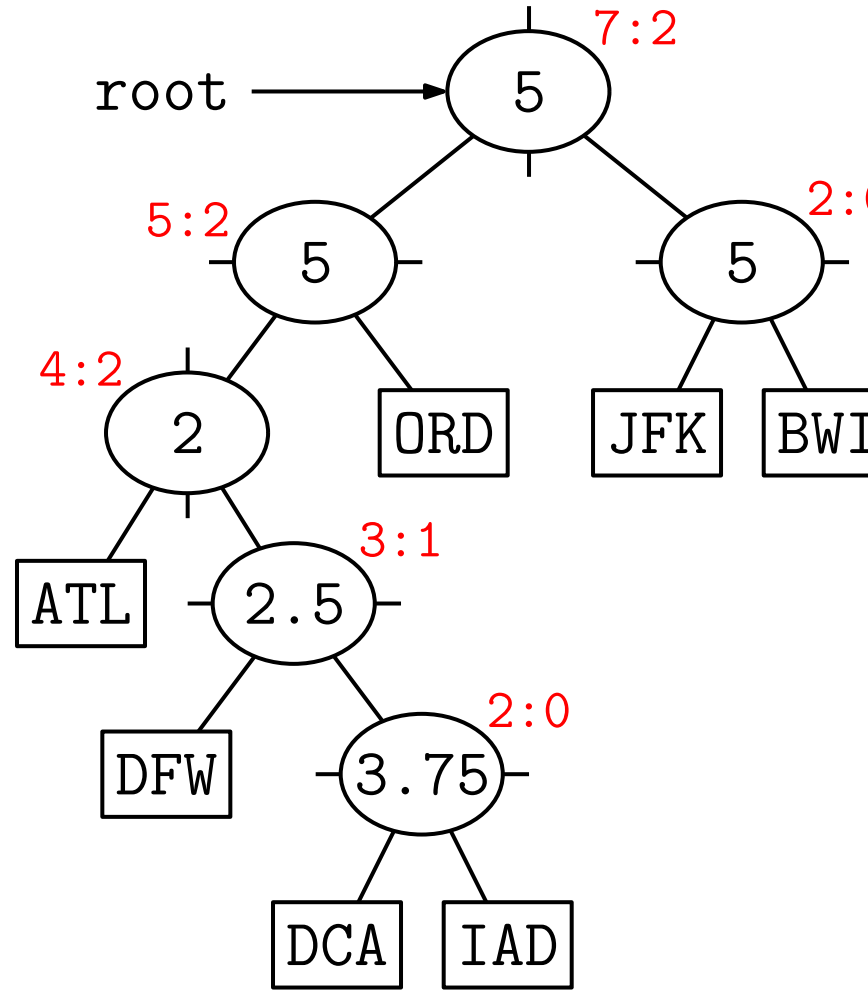


insert:IAD (3,4)

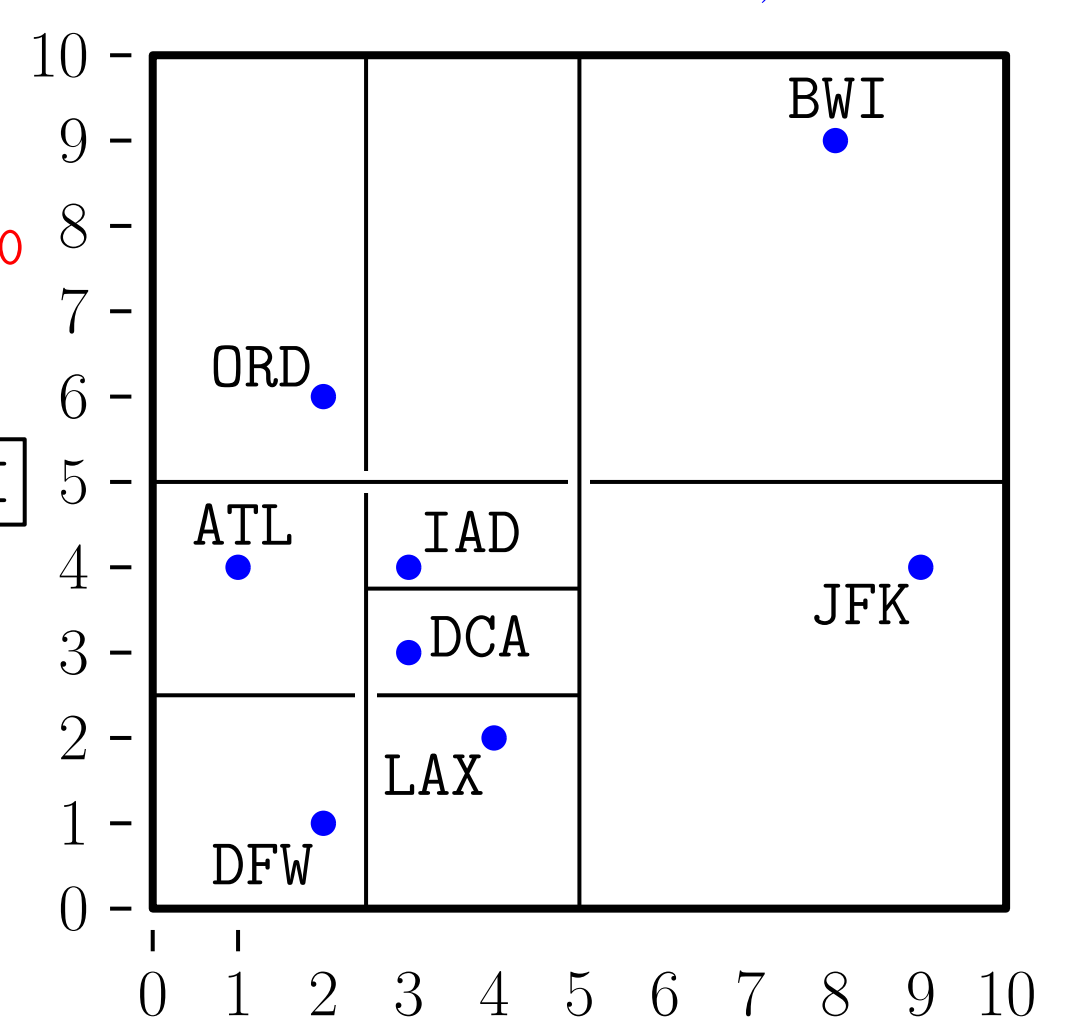
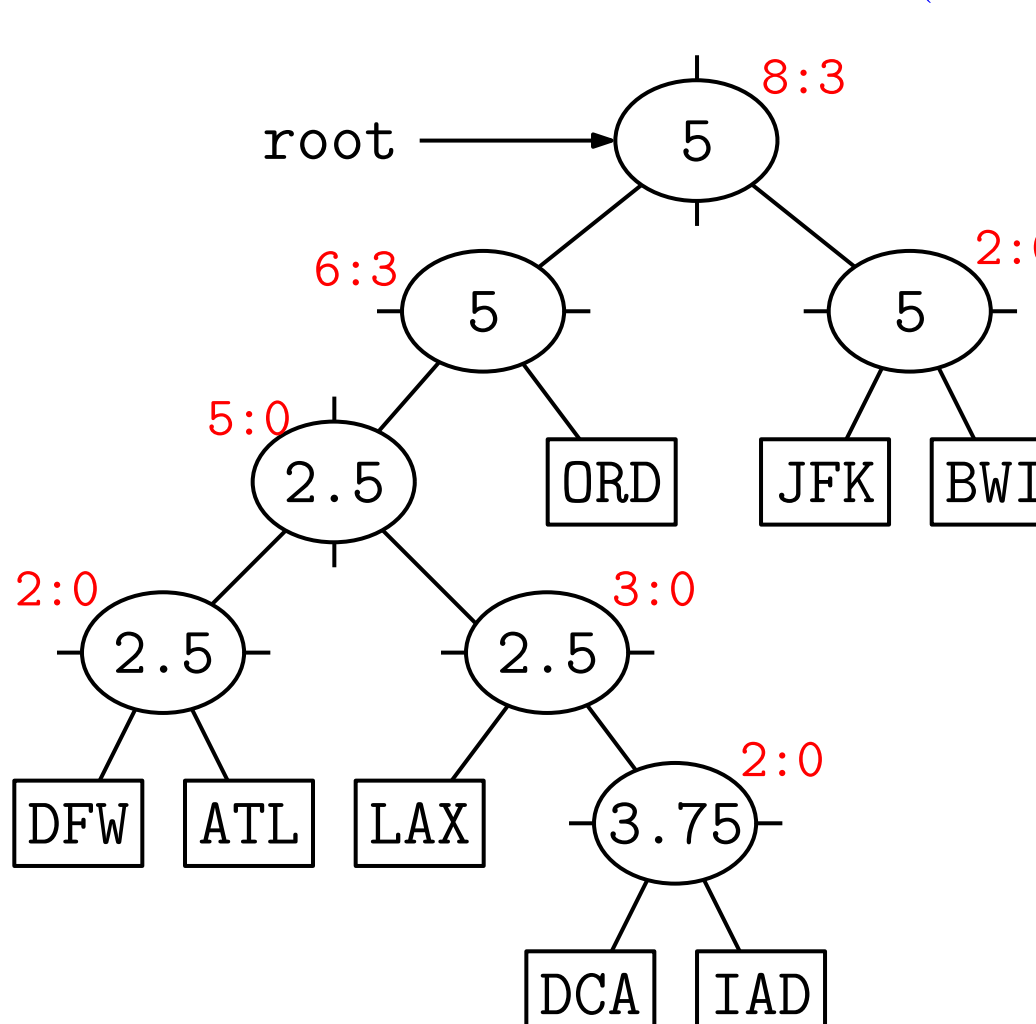


Tree structure:  
| | [BWI: (8.0,9.0)]  
| (y=5.0) 2:0  
| | [JFK: (9.0,4.0)]  
(x=5.0) 7:2  
| | [ORD: (2.0,6.0)]  
| (y=5.0) 5:2  
| | | | [IAD: (3.0,4.0)]  
| | | | (y=3.75) 2:0  
| | | | [DCA: (3.0,3.0)]  
| | | (y=2.5) 3:1  
| | | | [DFW: (2.0,1.0)]  
| | (x=2.0) 4:2  
| | | [ATL: (1.0,4.0)]

insert:DCA (3,3)



insert:LAX (4,2) (rebuild root's left-left grandchild)



Tree structure:  
| | [BWI: (8.0,9.0)]  
| (y=5.0) 2:0  
| | [JFK: (9.0,4.0)]  
(x=5.0) 8:3  
| | [ORD: (2.0,6.0)]  
| (y=5.0) 6:3  
| | | | [IAD: (3.0,4.0)]  
| | | | (y=3.75) 2:0  
| | | | [DCA: (3.0,3.0)]  
| | | (y=2.5) 3:0  
| | | | [LAX: (4.0,2.0)]  
| | (x=2.5) 5:0  
| | | [ATL: (1.0,4.0)]  
| | | (y=2.5) 2:0  
| | | | [DFW: (2.0,1.0)]