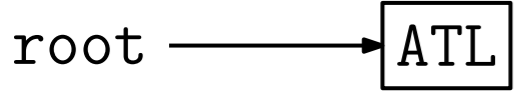


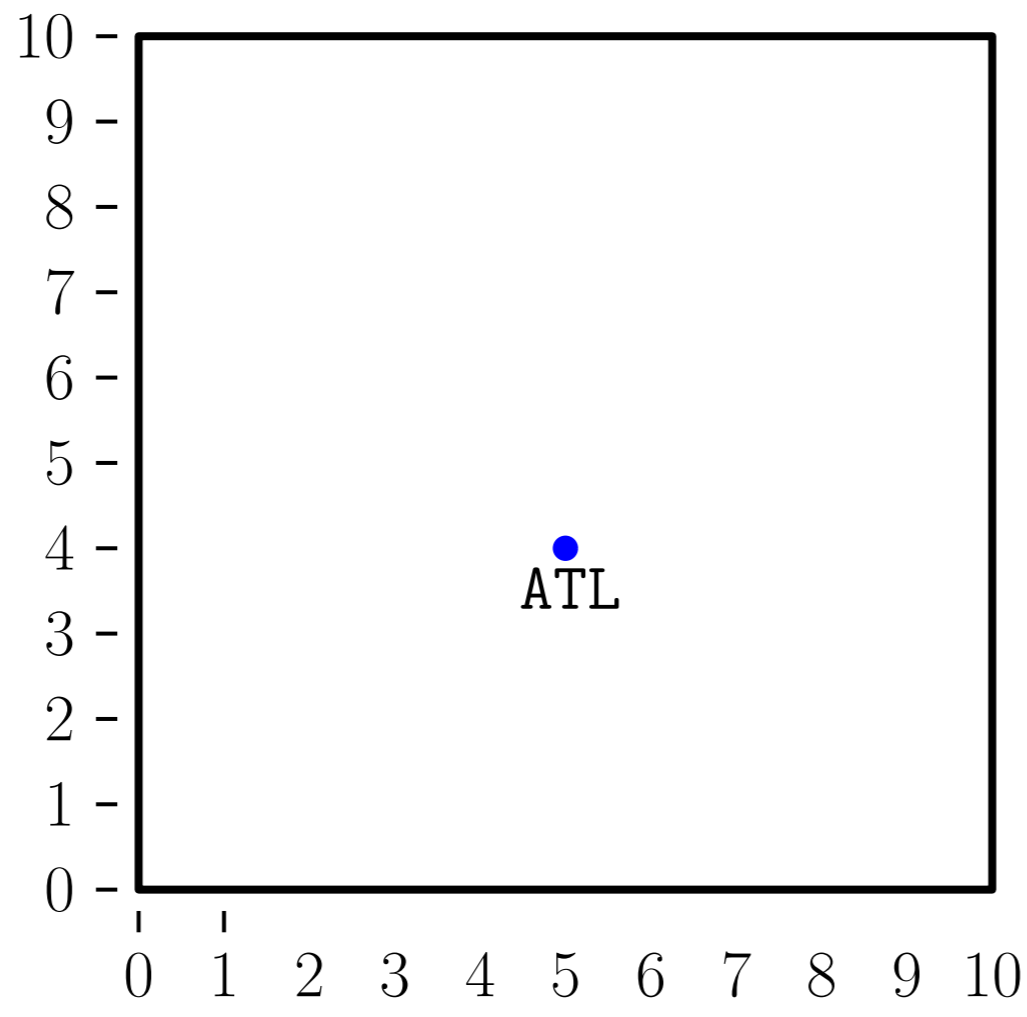
test05

rebuild offset = 0

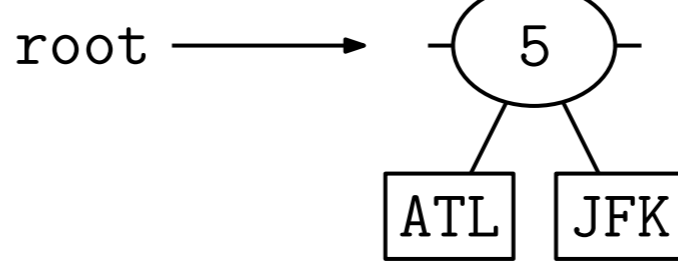
insert:ATL (5,4)



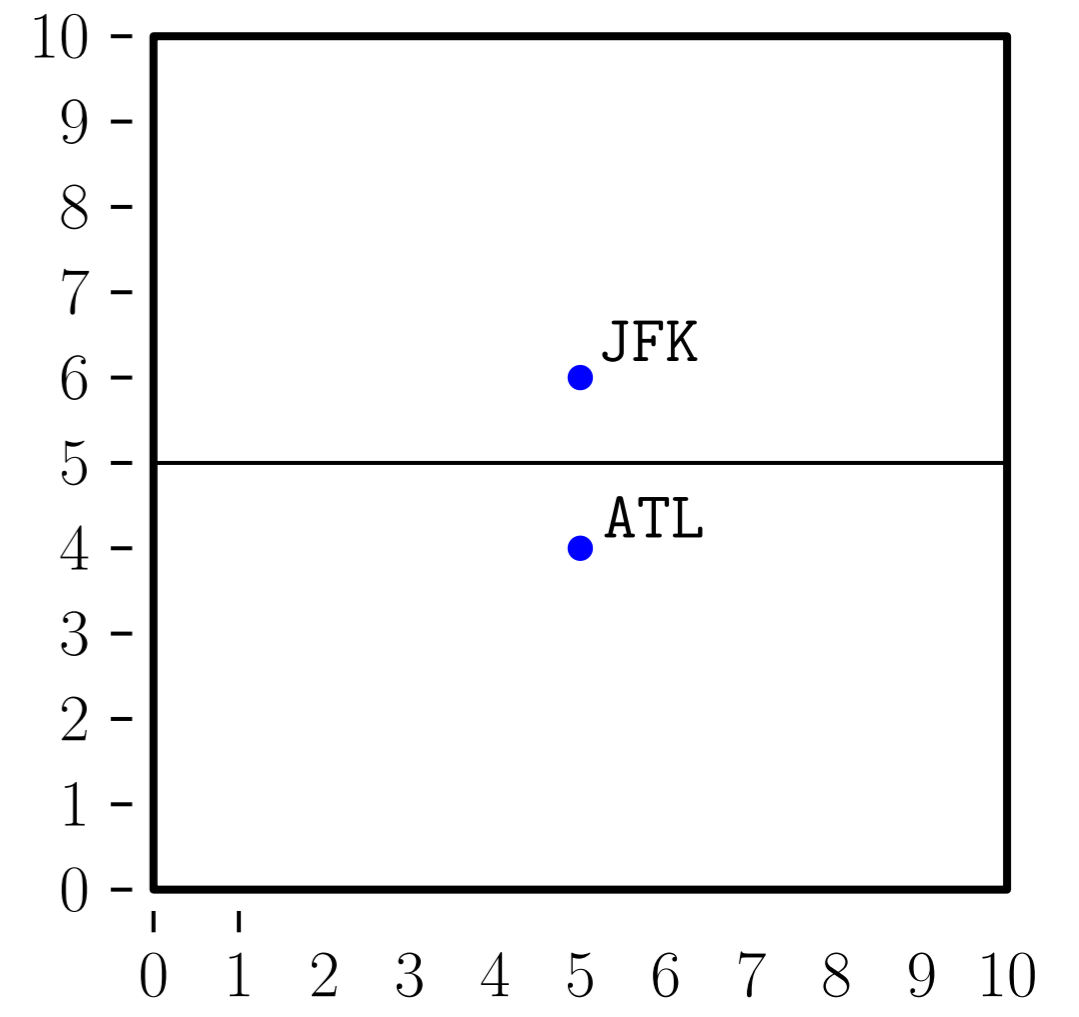
Tree structure:
[ATL: (5.0,4.0)]



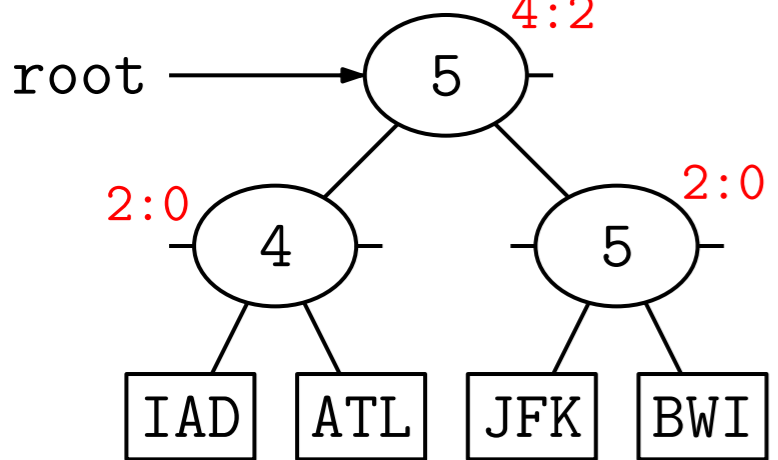
insert:JFK (9,4)



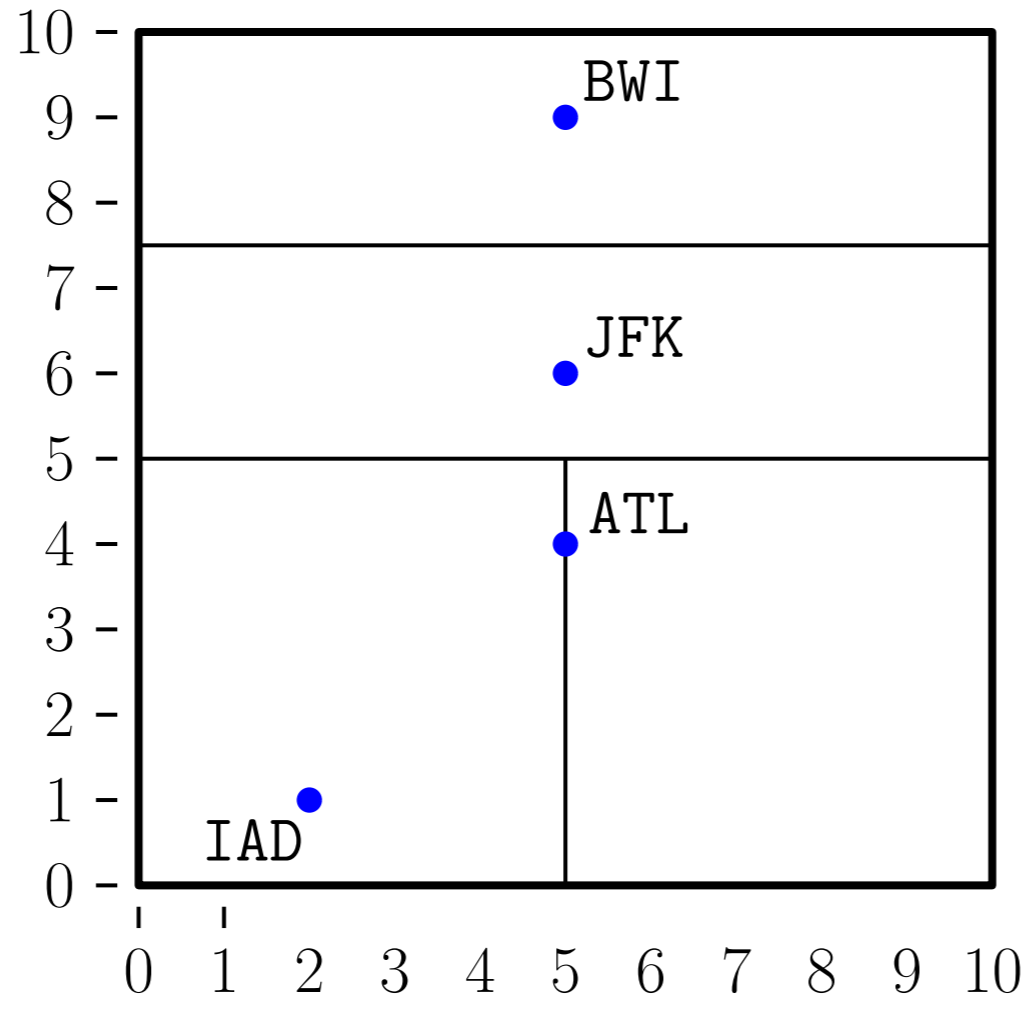
Tree structure:
| [JFK: (5.0,6.0)]
(y=5.0) 2:0
| [ATL: (5.0,4.0)]



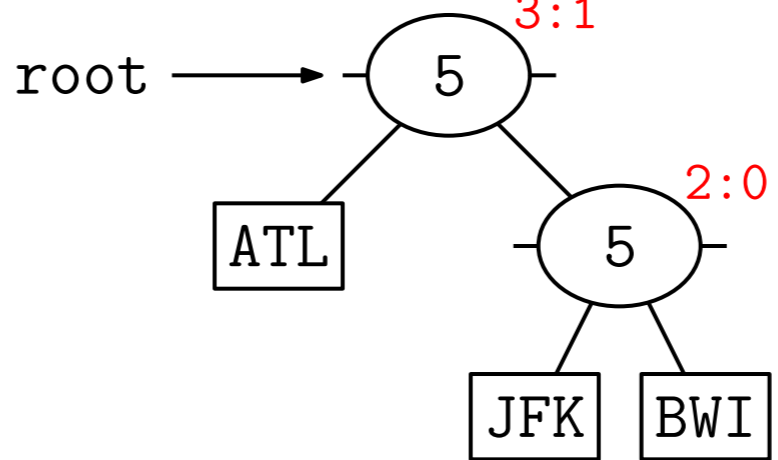
insert:IAD (2,1)



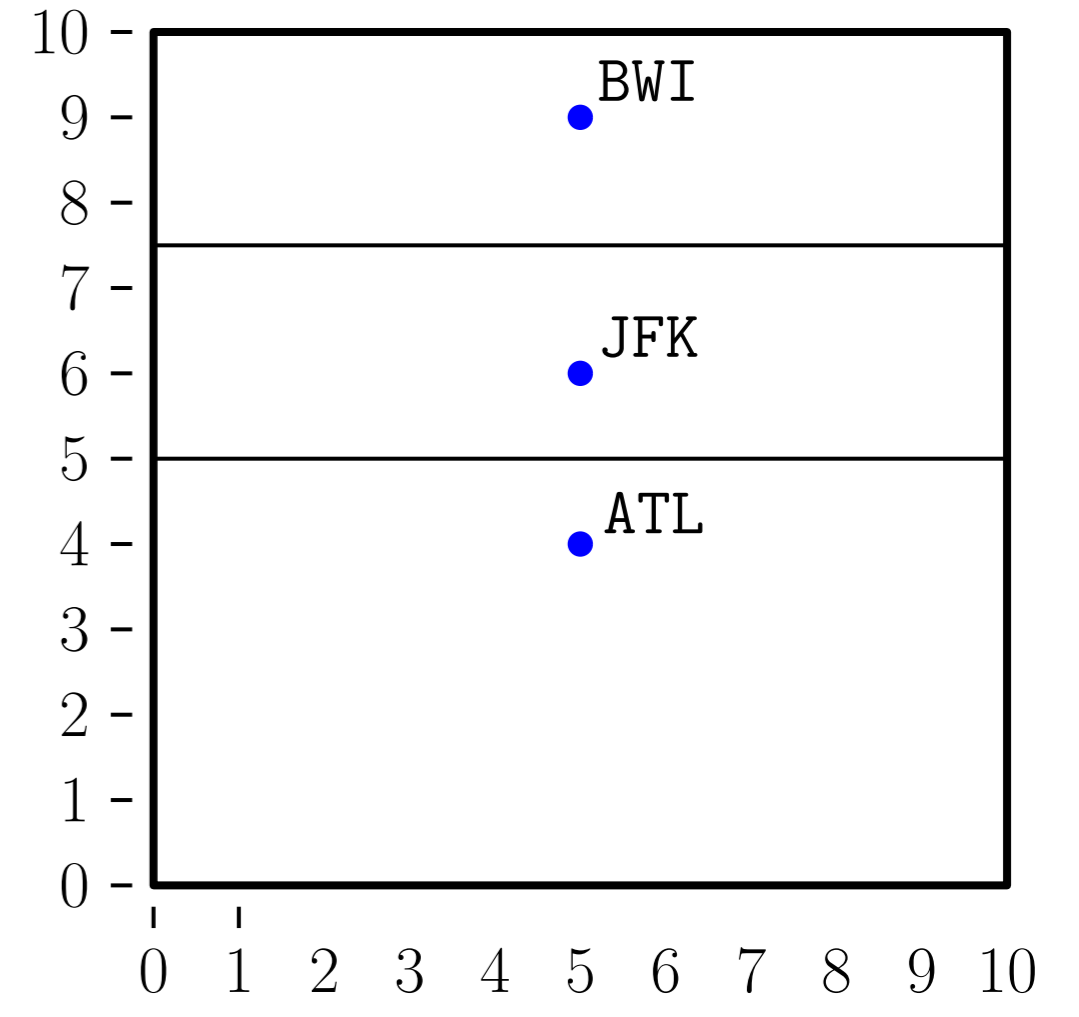
Tree structure:
| | [BWI: (5.0,9.0)]
| (y=7.5) 2:0
| | [JFK: (5.0,6.0)]
(y=5.0) 4:2
| | [ATL: (5.0,4.0)]
| (x=5.0) 2:0
| | [IAD: (2.0,1.0)]



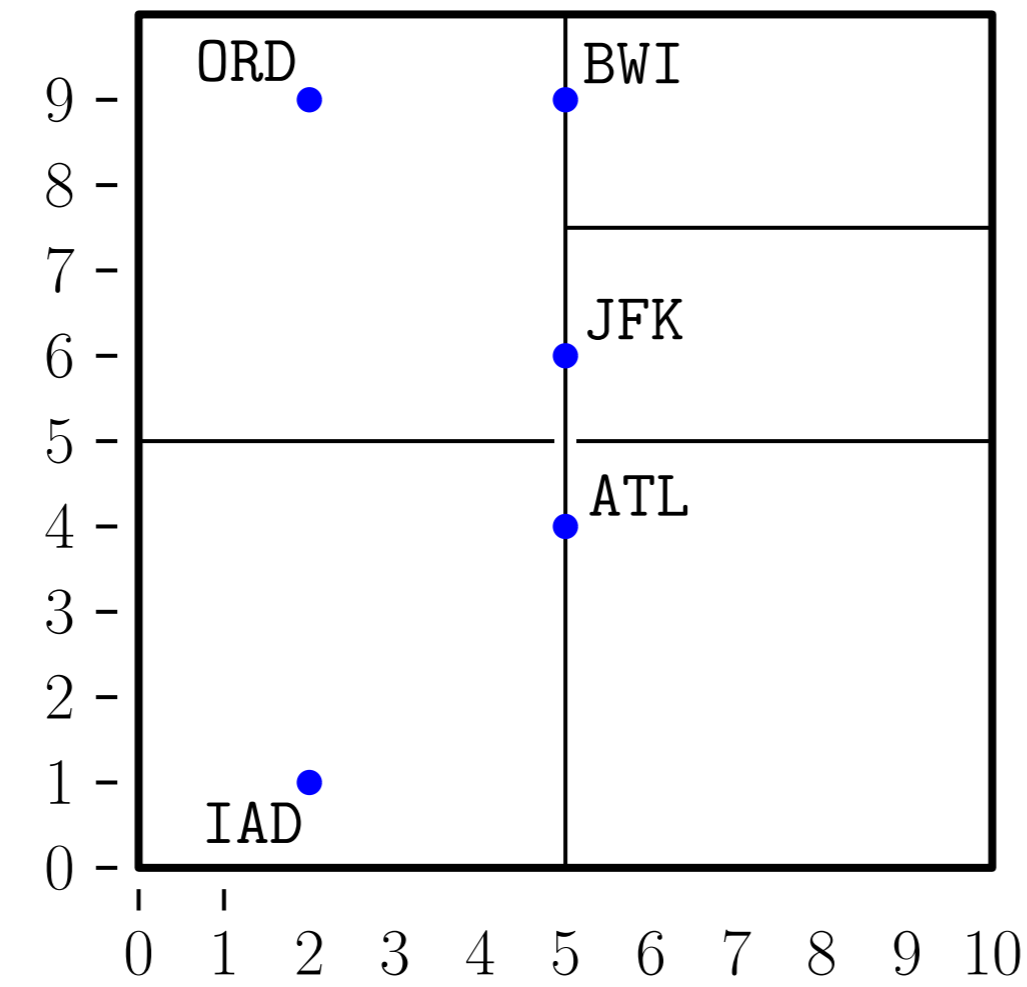
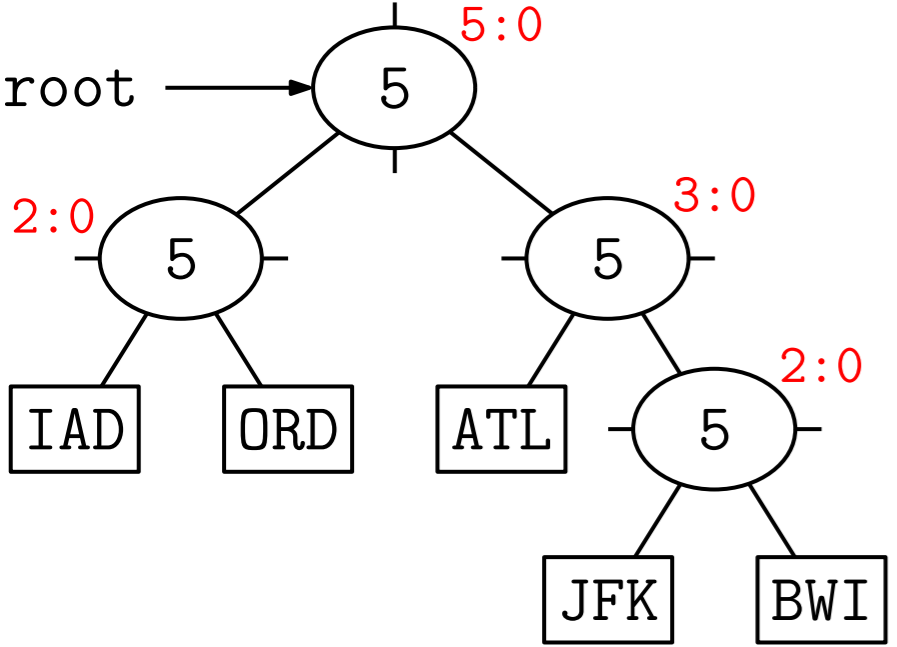
insert:ORD (2,9)



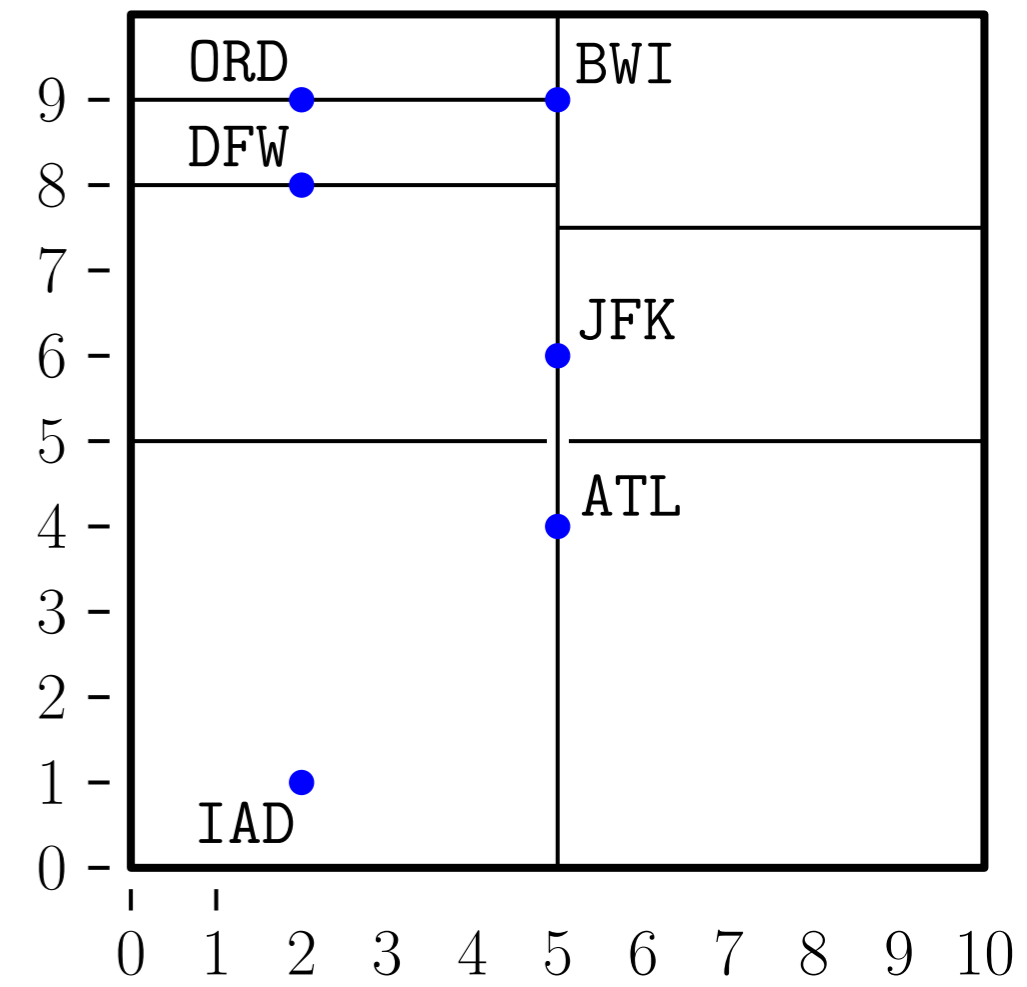
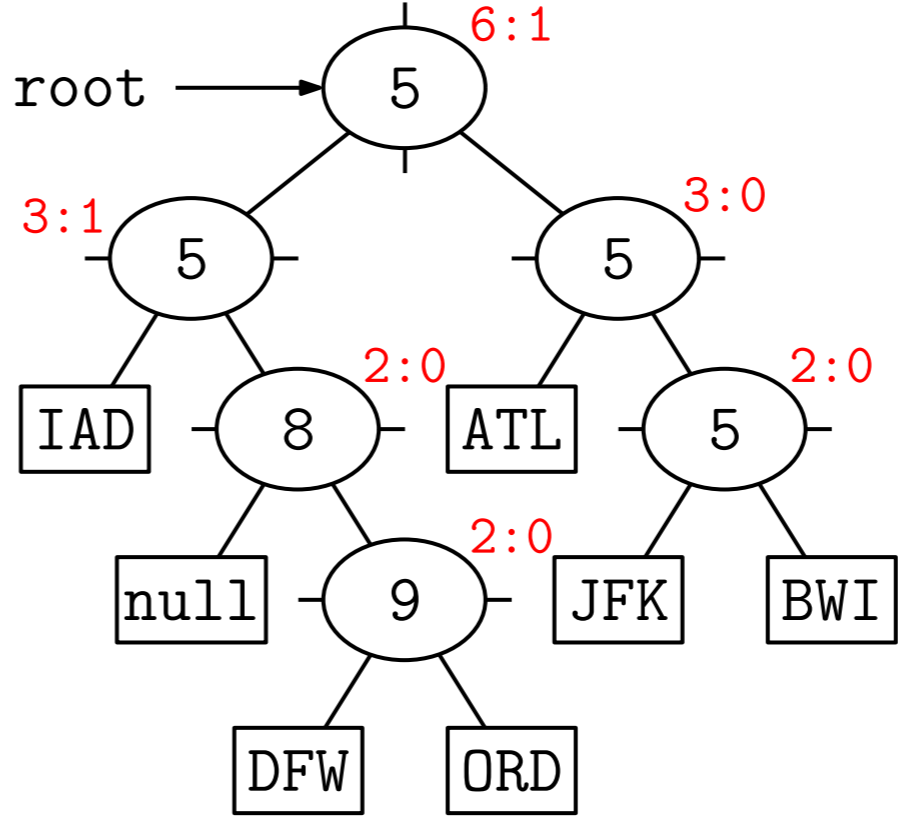
Tree structure:
| | [BWI: (5.0,9.0)]
| (y=7.5) 2:0
| | [JFK: (5.0,6.0)]
(y=5.0) 3:1
| [ATL: (5.0,4.0)]



insert:ORD (2,9) (rebuild at root)



insert:DFW (3,8)



insert:DCA, LAX, SEA, SFO, PVD (rebuild at root)

Tree structure:
| | | [BWI: (5.0,9.0)]
| | (y=7.5) 2:0
| | | [JFK: (5.0,6.0)]
| (y=5.0) 7:0
| | | | [SEA: (8.0,4.0)]
| | | | (y=3.75) 2:0
| | | | [PVD: (8.0,3.0)]
| | | (y=2.5) 4:0
| | | | [LAX: (8.0,2.0)]
| | | | (y=1.25) 2:0
| | | | [SFO: (8.0,1.0)]
| | (x=7.5) 5:0
| | | [ATL: (5.0,4.0)]
(x=5.0) 11:0
| | | | [ORD: (2.0,9.0)]
| | | | (y=8.75) 2:0
| | | | [DFW: (2.0,8.0)]
| | (y=7.5) 3:0
| | | [DCA: (2.0,7.0)]
| (y=5.0) 4:0
| | [IAD: (2.0,1.0)]

